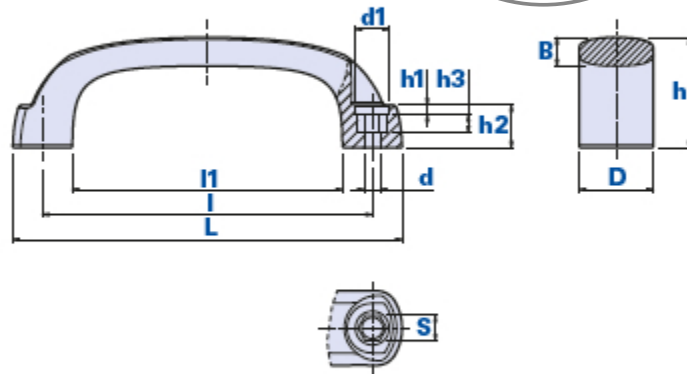


## Bridge handle with built-in seat and fixing through hexagonal head screws



### How to order the handle with caps:

Example: handle code 01MUTE093B with yellow caps = code 01MUTE093B-G

Black caps:	Yellow caps:	Red caps:	Green caps:	Blue caps:	Orange caps:
Cod. + <b>N</b>	Cod. + <b>G</b>	Cod. + <b>R</b>	Cod. + <b>V</b>	Cod. + <b>B</b>	Cod. + <b>A</b>

The code below shows the product code without caps.

Code	Description	Dimensions							Hole					Weight grams	Stock
		L	D	h	B	l1	l	h3	d	h1	d1	h2	S		
<b>01MUTE093B</b>	MUTE 93 D.5,5	111,2	21	38	8,8	75,7	93,5	7	5,5	4	10,7	17	8	25,8	-
<b>01MUTE117C</b>	MUTE 117 D.6,5	139,4	26,3	41	10,3	94,6	117	7	6,5	4	13,5	17	10	45,4	-
<b>01MUTE132C</b>	MUTE 132 D.6,5	155,8	29,7	44	11,4	108,2	132	7	6,5	4	13,5	17	10	58,9	-
<b>01MUTE150C</b>	MUTE 150 D.6,5	173,8	29,7	47	11,4	126,2	150	7	6,5	4	13,5	17	10	73,2	-
<b>01MUTE179C</b>	MUTE 179 D.6,5	204	29,7	51	12,5	154	179	7	6,5	4	13,5	17	10	101,8	-

### Material

Polyamide-based (PA) technopolymer. Resistant to organic and inorganic chemical substances such as oils, greases, fuels and solvents.

### Colour

Black with satin finish.

Other colours for suitable quantities.

### Assembly

With cylindrical head screws or hexagonal nuts.

### Caps upon request

Caps black RAL 7021, orange RAL 2004, yellow RAL 1021, red RAL 3020, green RAL 6018, blue RAL 5015. Satin finish. Press-fit assembly. On request, customization with other colours, logo and/or graphics, for suitable quantities.

### Package

10 - 50 - 100 pcs.

