



Hinge 180°

Accessories

For nested door
Screw-on Hinge.
180° Opening angle

Handle lock

Material:
Hinge Parts: Steel, Black Coated,
or stainless steel AISI 304
Pin: stainless steel, AISI 303

Cylinder lock

Electronic lock

Swing handle

Rod control lock

Panel lock

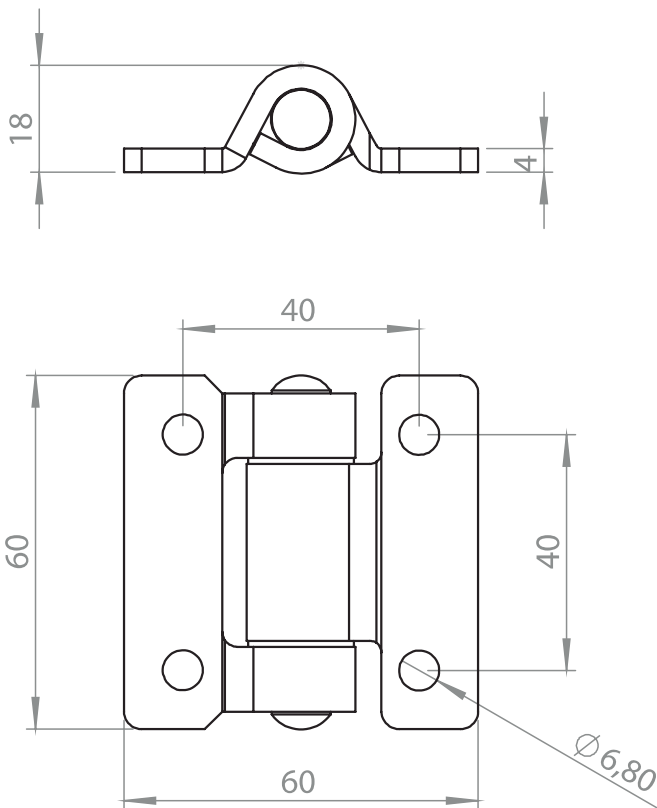
Toggle and hook

Handles

Door stop

Hinge

Seal gasket



Accessories

Handle lock

Cylinder lock

Electronic lock

Swing handle

Rod control lock

Panel lock

Toggle and hook

Handles

Door stop

Hinge

Seal gasket

Overview of items

version	Stainless steel	Steel, black Coated
Hinge with holes	PA6121900-SST	PA6121900-0SW