



Quarter-Turn with T-Handle L18

Accessories

For cutout 20.1, length 18, with cylinder
 Quarter-turn with T-handle, RH or LH application
 Water- and dust-tight according to IP65 DIN EN 60529.
 The Quarter-Turn consists of two basic components which can be combined to suit your application.

Handle lock

A pre-assembled Quarter-Turn can be installed in the cutout.
Material:
T-handle: zinc die, chrome plated or Black
Housing: zinc die, chrome plated, or Black
Cam: steel, zinc plated or PA black

Cylinder lock

Electronic lock

Swing handle

Rod control lock

Panel lock

Toggle and hook

Handles

Door stop

Hinge

Seal gasket

Accessories

Handle lock

Cylinder lock

Electronic lock

Swing handle

Rod control lock

Panel lock

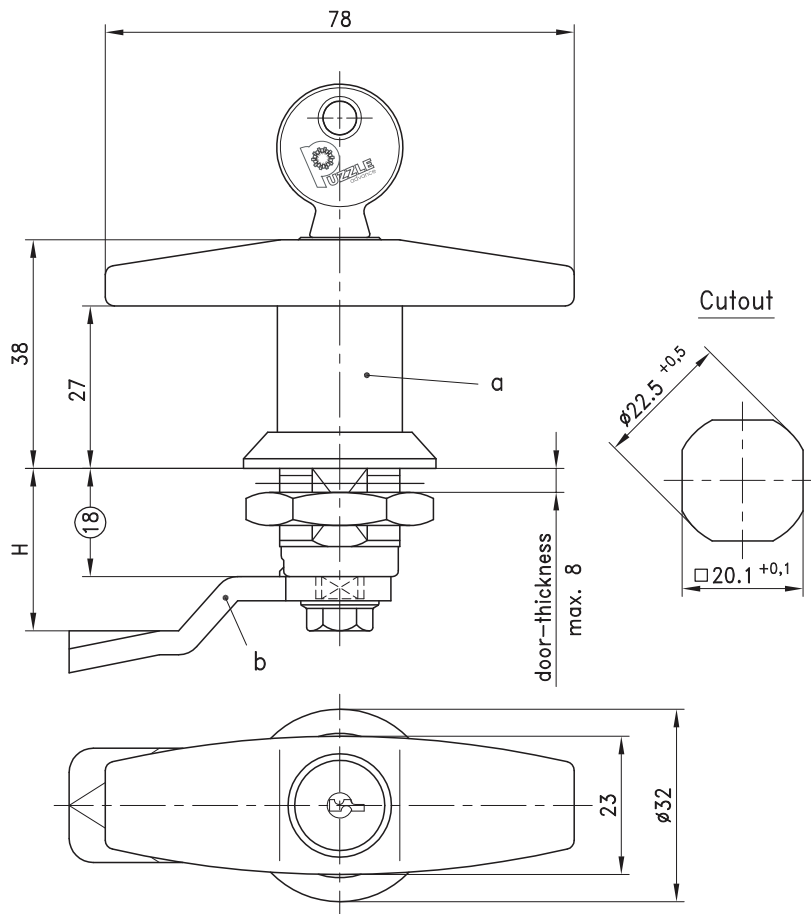
Toggle and hook

Handles

Door stop

Hinge

Seal gasket



Overview of items

version	Part No.	Part No.
a) Quarter-turn with T-handle	zinc die, chrome pl.	zinc die, black
keyed alike G333*	PA2109220-000	PA2109210-000
Non locking	PA2109221-000	PA2109211-000
Keyed different/mixed	PA2109222-000	PA2109212-000
b) Cam steel (zinc plated) See Page 1A-130		
All lockable handles supplied with two keys.		
* with stainless dust-shutter		