



Quarter-Turn with Wing L18

Accessories

For cutout 20.1, length 18, with cylinder
 Wing handle Quarter-Turn, RH or LH application - IP65
 The Quarter-Turn consists of two basic components which can be combined to suit your application.
 A pre-assembled Quarter-Turn can be installed in the cutout.

Handle lock

Material:
Handle: zinc die, chrome plated, Black or PA Black
Housing: zinc die, chrome plated, Black
Cam: steel, zinc plated or PA black

Cylinder lock

Electronic lock

Swing handle

Rod control lock

Panel lock

Toggle and hook

Handles

Door stop

Hinge

Seal gasket

Accessories

Handle lock

Cylinder lock

Electronic lock

Swing handle

Rod control lock

Panel lock

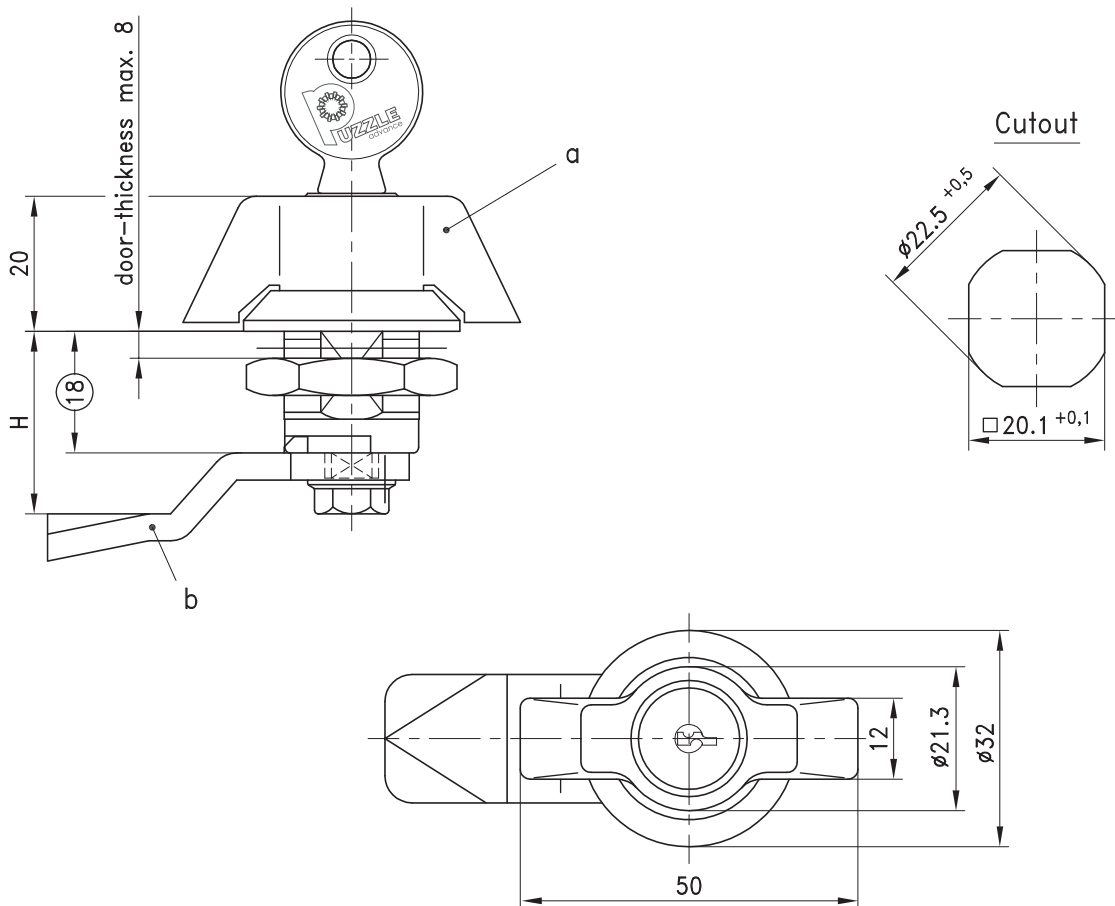
Toggle and hook

Handles

Door stop

Hinge

Seal gasket



Overview of items

version	Part No.	Part No.	Part No.
a) Quarter-turn with T-handle	zinc die, chrome pl.	zinc die, black	PA black Over, Zinc die
keyed alike G333*	PA2109120-000	PA2109110-000	PA2109130-000
Non locking	PA2109121-000	PA2109111-000	PA2109131-000
Keyed different/mixed	PA2109122-000	PA2109112-000	PA2109132-000
b) Cam steel (zinc plated) See Page 1A-130			
All lockable handles supplied with two keys.			
* with stainless dust-shutter			