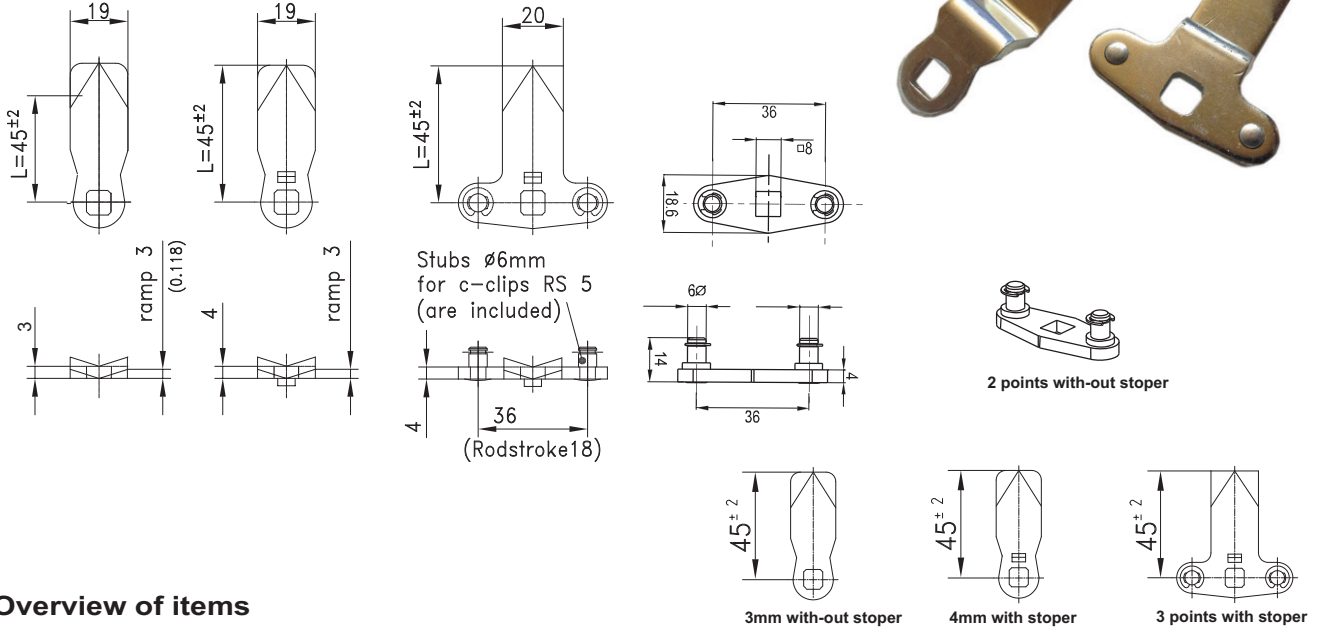




Cam Series 5

Accessories

Material:
Cams: steel, zinc plated



Accessories

Handle lock

Cylinder lock

Electronic lock

Swing handle

Overview of items

version	H at housing length (G1):										Part No.	Part No.	Part No.
	G112	G118	G120	G122	G130	G132	G136	G140	G142	Gi46			
-	2	4	6	8	14	16	20	24	26	30	PA1070302-000*	PA1071402-000*	PA1073402-000*
-	4	6	8	10	16	18	22	26	28	32	PA1070304-000*	PA1071404-000*	PA1073404-000*
-	6	8	10	12	18	20	24	28	30	34	PA1070306-000*	PA1071406-000	PA1073406-000
-	8	10	12	14	20	22	26	30	32	36	PA1070308-000*	PA1071408-000*	PA1073408-000*
-	10	12	14	16	22	24	28	32	34	38	PA1070310-000	PA1071410-000	PA1073410-000
6	13	15	17	19	25	27	31	35	37	41	-	PA1071413-000*	PA1073413-000*
8	14	16	18	20	26	28	32	36	38	42	PA1070314-000	PA1071414-000	PA1073414-000
10	16	18	20	22	28	30	34	38	40	44	-	PA1071416-000	PA1073416-000
12	18	20	22	24	30	32	36	40	42	46	PA1070318-000	PA1071418-000	PA1073418-000
14	20	22	24	26	32	34	38	42	44	48	-	PA1071420-000	PA1073420-000
16	22	24	26	28	34	36	40	44	46	50	PA1070322-000	PA1071422-000	PA1073422-000
18	24	26	28	30	36	38	42	46	48	52	-	PA1071424-000	PA1073424-000
19	25	27	29	31	37	39	43	47	49	53	PA1070325-000*	PA1071425-000*	PA1073425-000*
20	26	28	30	32	38	40	44	48	50	54	-	PA1071426-000	PA1073426-000
22	28	30	32	34	40	42	46	50	52	56	PA1070328-000	PA1071428-000	PA1073428-000
24	30	32	34	36	42	44	48	52	54	58	PA1070330-000	PA1071430-000	PA1073430-000
26	32	34	36	38	44	46	50	54	56	60	PA1070332-000	PA1071432-000	PA1073432-000
28	34	36	38	40	46	48	52	56	58	62	PA1070334-000	PA1071434-000	PA1073434-000
29	35	37	39	41	47	49	53	57	59	63	-	PA1071435-000*	PA1073435-000*
30	36	38	40	42	48	50	54	58	60	64	-	PA1071436-000	PA1073436-000
32	38	40	42	44	50	52	56	60	62	66	PA1070338-000	PA1071438-000	PA1073438-000
34	40	42	44	46	52	54	58	62	64	68	PA1070340-000	PA1071440-000	PA1073440-000
36	42	44	46	48	54	56	60	64	66	70	-	PA1071442-000	PA1073442-000
38	44	46	48	50	56	58	62	66	68	72	-	PA1071444-000	PA1073444-000
39	45	47	49	51	57	59	63	67	69	73	-	PA1071446-000	PA1073446-000
41	47	49	51	53	59	61	65	69	71	75	-	PA1071447-000*	PA1073447-000*
44	50	52	54	56	62	64	68	72	74	78	-	PA1071450-000	PA1073450-000
47	53	55	57	59	65	67	71	75	77	81	-	PA1071453-000*	PA1073453-000*
49	55	57	59	61	67	69	73	77	79	83	-	PA1071455-000*	PA1073455-000*

*Price and delivery time on request!

	Part No.
2-point cam, steel, zinc plated	PA1072220-000
Stainless steel cams on request!	
Other cams on request	

Handle lock

Cylinder lock

Electronic lock

Swing handle

Rod control lock

Panel lock

Toggle and hook

Handles

Door stop

Hinge

Seal gasket