



Push-To-Close Cam for Tool Operated Quarter-Turn Latch

Accessories

Handle lock

Cylinder lock

Electronic lock

Swing handle

Rod control lock

Panel lock

Toggle and hook

Handles

Door stop

Hinge

Seal gasket

Spring loaded cam for slam-latch action.

Version A: Moves clockwise during closing / counter-clockwise spring return.

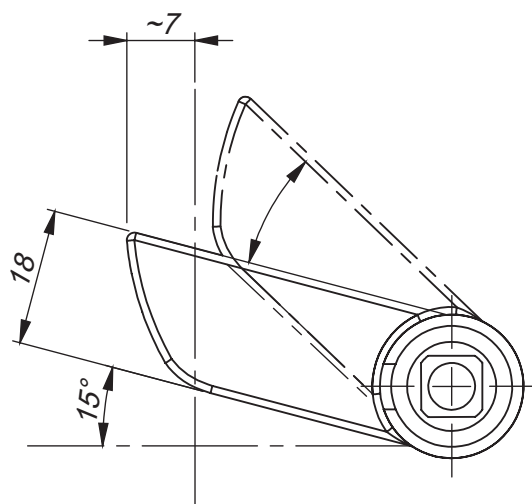
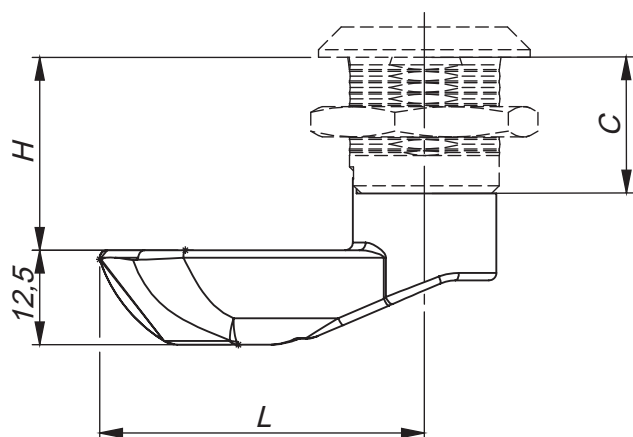
Version B: Moves counter-clockwise during closing / clockwise spring return.

Material:

Cam: Zinc die-cast, chrome plated.

Spring: Stainless steel (304).

Washer: Teflon.



Overview of items

version	L	H in mm when C=					Part No.
		12	18	30	45	56	
Spring cam Version A	43,0	19,5	25,5	37,5	52,5	63,5	PA1071700-000
Spring cam Version A	32,0	14,5	20,5	32,5	47,5	58,5	PA1071701-000
Spring cam Version B	43,0	19,5	25,5	37,5	52,5	63,5	PA1071702-000
Spring cam Version B	32,0	14,5	20,5	32,5	47,7	58,5	PA1071703-000

Version A shown above.

Accessories

Handle lock

Cylinder lock

Electronic lock

Swing handle

Rod control lock

Panel lock

Toggle and hook

Handles

Door stop

Hinge

Seal gasket

