

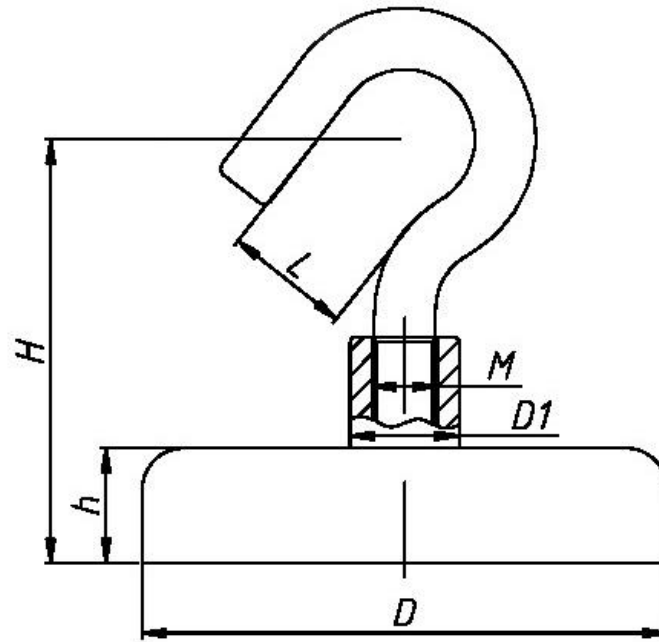


Flat gripper with internal thread in NdFeB

Material, version:
Housing in galvanized steel.
Magnetic core NdFeB

Note:
Shielded system

Temperature range:
max. 80°C.



Overview of items

| Order No. | D | D1 | M | H | h | L | Adhesive force (Kg) | Approx. weight g |
|------------|----|-----|----|----|------|-----|---------------------|------------------|
| PA5533-010 | 10 | 6 | 3 | 27 | 5 | 6 | 2.2 | 6 |
| PA5533-012 | 12 | 6 | 3 | 27 | 5 | 6 | 3.2 | 8 |
| PA5533-016 | 16 | 6.5 | 4 | 30 | 5.2 | 7.5 | 5.5 | 12 |
| PA5533-020 | 20 | 6.5 | 4 | 32 | 7.2 | 7.5 | 9 | 21 |
| PA5533-025 | 25 | 7.5 | 5 | 32 | 7.7 | 8.5 | 22 | 33 |
| PA5533-032 | 32 | 10 | 6 | 36 | 7.8 | 10 | 34 | 54 |
| PA5533-036 | 36 | 10 | 6 | 36 | 7.6 | 10 | 41 | 64 |
| PA5533-042 | 42 | 10 | 6 | 37 | 8.8 | 10 | 68 | 93 |
| PA5533-048 | 48 | 12 | 8 | 45 | 10.8 | 11 | 81 | 150 |
| PA5533-060 | 60 | 12 | 8 | 50 | 15 | 11 | 113 | 283 |
| PA5533-075 | 75 | 17 | 10 | 62 | 17.8 | 16 | 164 | 555 |