



# Concealed Hinge 120°

Accessories

door bending 25mm, for surface mounted door  
 120° Concealed Hinge for surface mounted doors, heavy duty version.  
 RH or LH application.

**Material:**

**Frame-part:** steel, zinc plated , or stainless steel

**Door-part:** steel, untreated, or stainless steel

**Pins:** steel zinc plated , or stainless steel

**Fastening washer:** steel, zinc plated , or stainless steel

**all parts:** steel, zinc plated , or stainless steel

Handle lock

Cylinder lock

Electronic lock

Swing handle

Rod control lock

Panel lock

Toggle and hook

Handles

Door stop

Hinge

Seal gasket

Accessories

Handle lock

Cylinder lock

Electronic lock

Swing handle

Rod control lock

Panel lock

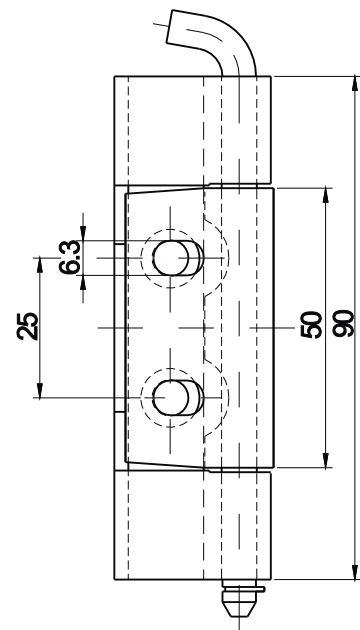
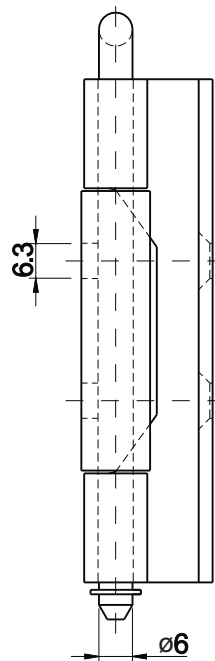
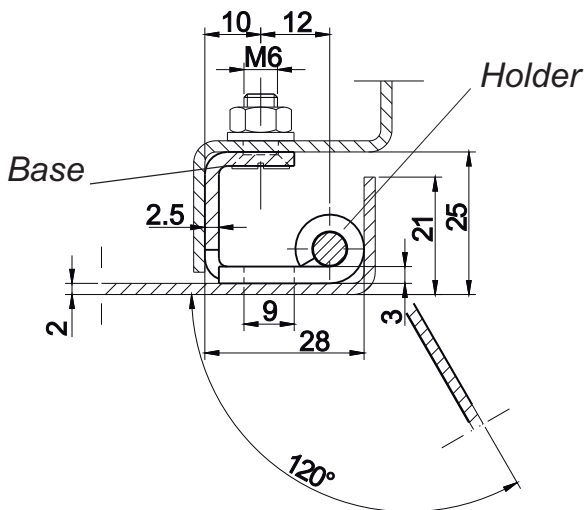
Toggle and hook

Handles

Door stop

Hinge

Seal gasket



## Overview of items

version	Part No.
Frame-part countersunk for M6 Screws - Frame holes Ø6.3 or M6	
Hinge - Steel, zinc plated	PA6411421-000
Hinge - Stainless steel - AISI 304	PA6411421-SST
Pin with groove are included.	