



# Compression Latch

Accessories

**Main material and finish :** Blue-gray or black powder coated ZDC housing and insert, white zinc plated steel cam, PA handle pull

**Application:** Cam quarter turn to open or close, with function of locking

**Remarks:** Optional key K115 series

Handle lock

**Cylinder lock**

Electronic lock

Swing handle

Rod control lock

Panel lock

Toggle and hook

Handles

Door stop

Hinge

Seal gasket

Accessories

Handle lock

**Cylinder lock**

Electronic lock

Swing handle

Rod control lock

Panel lock

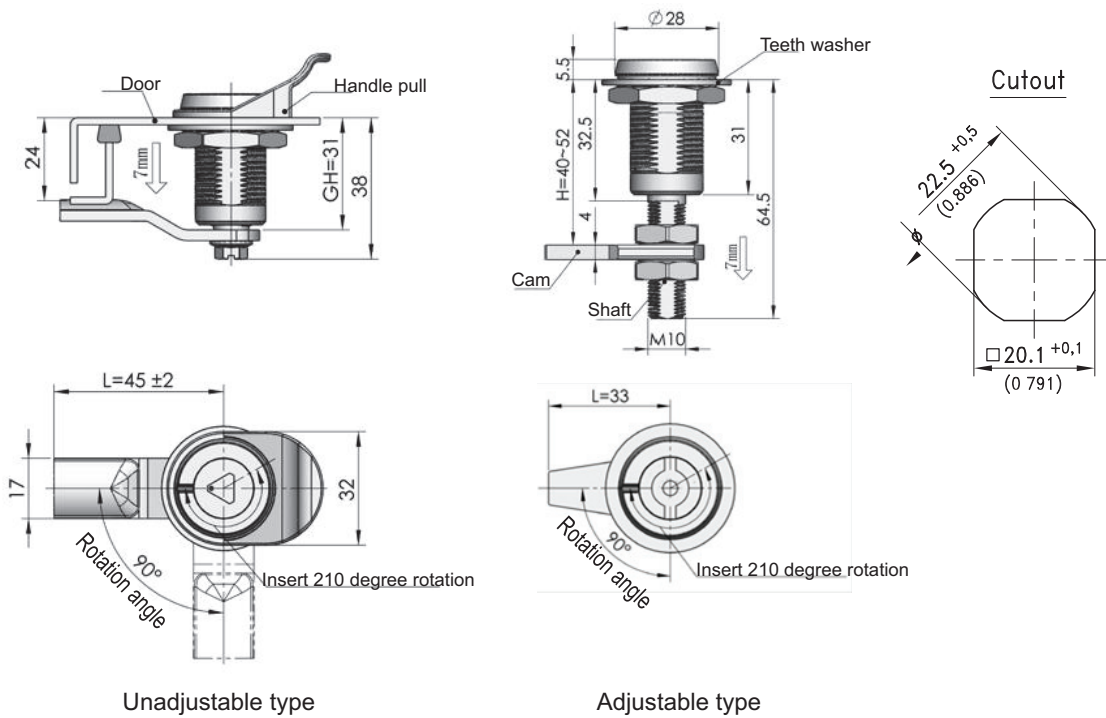
Toggle and hook

Handles

Door stop

Hinge

Seal gasket



## Overview of items

version	zinc die Blue-gray	zinc die black	zinc die Blue-gray	zinc die black
<b>Quarter-turn with Insert</b>	<b>Unadjustable type</b>		<b>Adjustable type</b>	
Triangular 7mm	PA2281610-000	PA2281640-000	PA2281630-000	PA2281660-000
Triangular 8mm	PA2281611-000	PA2281641-000	PA2281631-000	PA2281661-000
Double bit 5mm pin	PA2281612-000	PA2281642-000	PA2281632-000	PA2281662-000
Hex 10mm	PA2281614-000	PA2281644-000	PA2281634-000	PA2281664-000
Square 7mm	PA2281616-000	PA2281646-000	PA2281636-000	PA2281666-000
Square 8mm	PA2281615-000	PA2281645-000	PA2281635-000	PA2281665-000
Square 9mm	PA2281618-000	PA2281648-000	PA2281638-000	PA2281668-000
Abnormal	PA2281617-000	PA2281647-000	PA2281637-000	PA2281667-000
Slotted	PA2281619-000	PA2281649-000	PA2281639-000	PA2281669-000
Cam steel (zinc plated)				