



Hinge 180°

Accessories

Main material and finish: Black powder coated ZDC hinge, nickel-plated steel pin
Application: Opening angle 180°

Handle lock

Cylinder lock

Electronic lock

Swing handle

Rod control lock

Panel lock

Toggle and hook

Handles

Door stop

Hinge

Seal gasket



Accessories

Handle lock

Cylinder lock

Electronic lock

Swing handle

Rod control lock

Panel lock

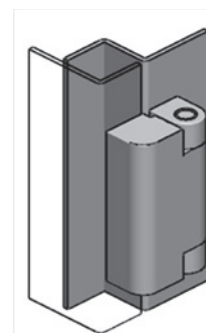
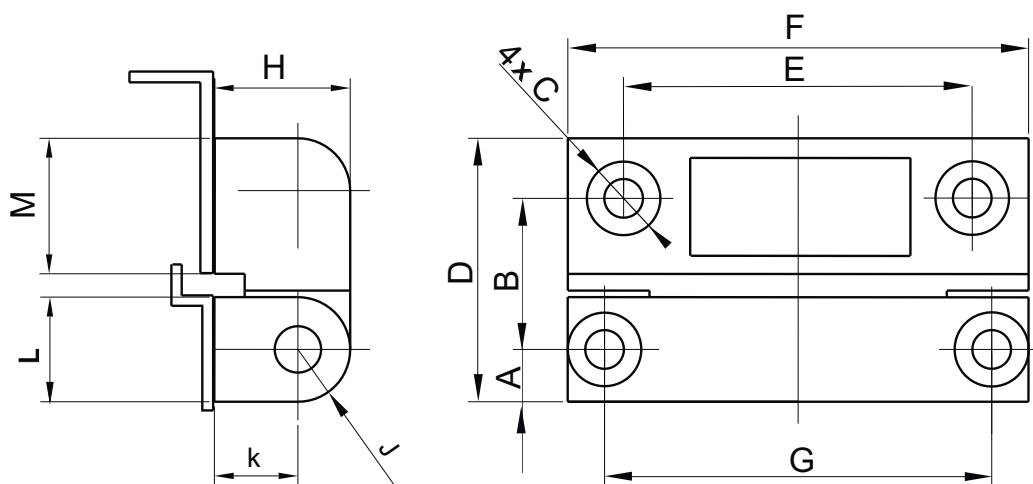
Toggle and hook

Handles

Door stop

Hinge

Seal gasket



Overview of items

version		Specification											Part No.	
		A	B	C	D	E	F	G	H	J	K	L		M
Hinge with tappet blind holes M5	Non-damping	8	20	M5	35	45	60	50	18	∅8	11	14	18	PA6120401-0SW
Hinge with tappet blind holes M4	Non-damping	4	13	M4	22	22	30	22	13	∅5	8	10	9	PA6120402-0SW
Hinge with tappet blind holes M4	Non-damping	4	18.5	M4	27.5	22	30	22	13	∅5	8	10	14.5	PA6120403-0SW