



# Wind stop

Accessories

With automatic lock.  
RH or LH application.  
**Material:** steel, zinc plated or Stainless steel

Handle lock

Cylinder lock

Electronic lock

Swing handle

Rod control lock

Panel lock

Toggle and hook

Handles

**Door stop**

Hinge

Seal gasket

Accessories

Handle lock

Cylinder lock

Electronic lock

Swing handle

Rod control lock

Panel lock

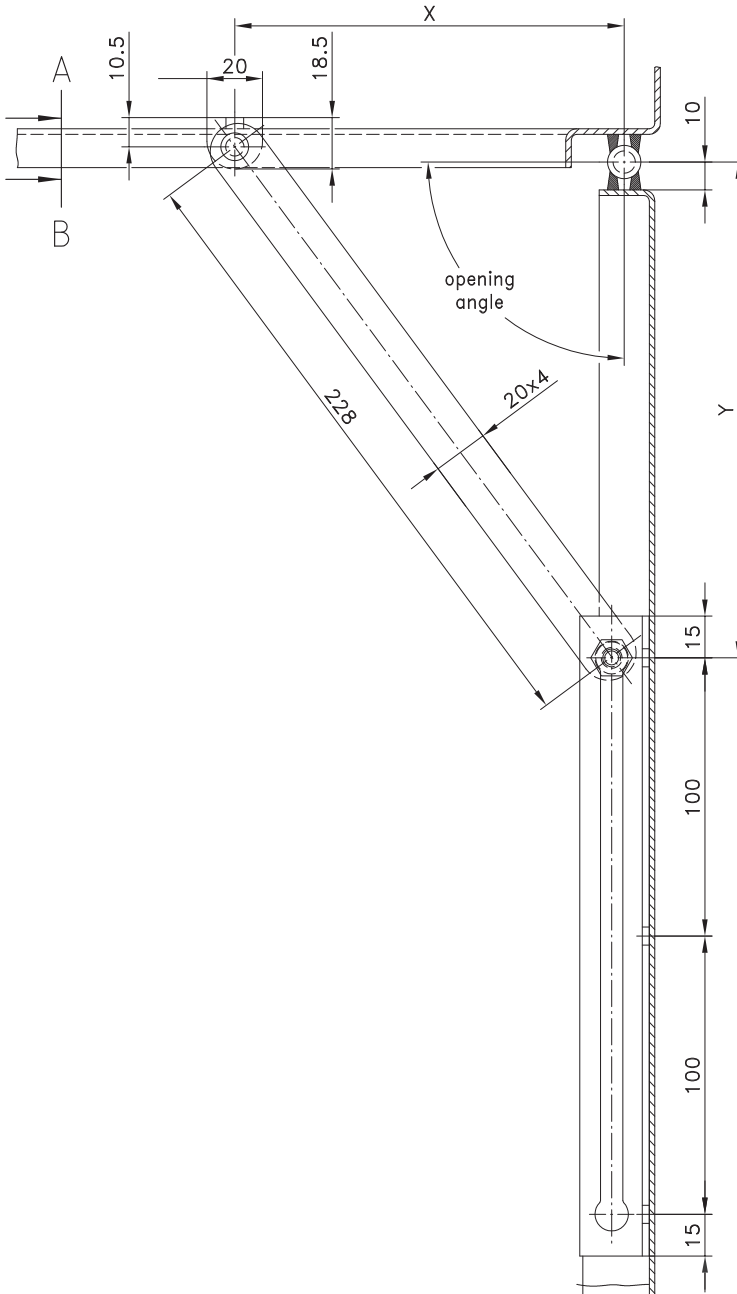
Toggle and hook

Handles

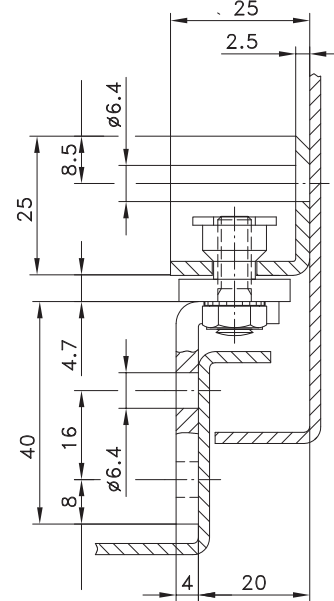
**Door stop**

Hinge

Seal gasket



view A-B  
door in closed position



## Overview of items

version	Part No.		
Wind stop steel, zinc plated	PA5110115-000		
Stainless steel version	PA5110115-SST		
Fastening dimensions	Dimension X mm/inch	Dimension Y mm/inch	minimal door width mm/inch
Opening Angle 90°	140 / 5.512	180 / 7.087	403 / 15.866
Opening Angle 105°	120 / 4.724	166 / 6.535	389 / 15.315
Opening Angle 120°	110 / 4.331	150 / 5.906	373 / 14.685
Opening Angle 135°	100 / 3.937	146 / 5.748	369 / 14.528

Important: For other configurations:  $Y = X + \text{min. } 40$