



Hinge 180° - 40x24

Accessories

40x24mm, for nested door
RH or LH application.
180° Opening angle,
Material:
Hinge halves: Zinc die, black coated
Pin: nickelplated steel

Handle lock

Cylinder lock

Electronic lock

Swing handle

Rod control lock

Panel lock

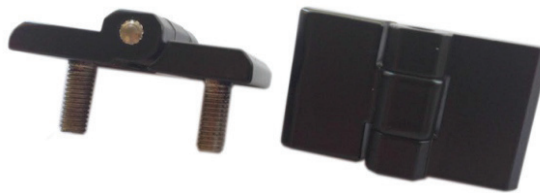
Toggle and hook

Handles

Door stop

Hinge

Seal gasket



Accessories

Handle lock

Cylinder lock

Electronic lock

Swing handle

Rod control lock

Panel lock

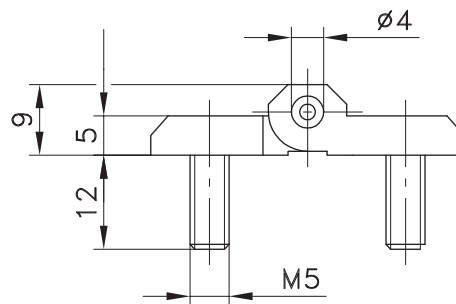
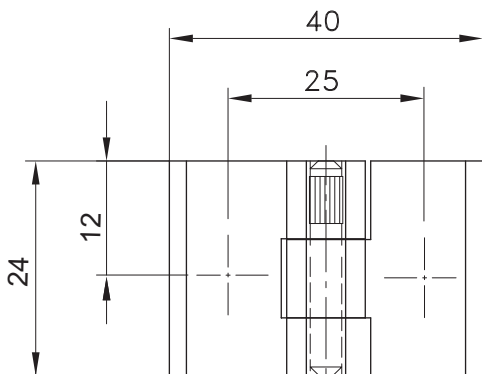
Toggle and hook

Handles

Door stop

Hinge

Seal gasket



Overview of items

version

Part No.

Hinge with screws M5 molded in

PA6120406-0SW

