



# Quarter-Turn with Wing L13.5

Accessories

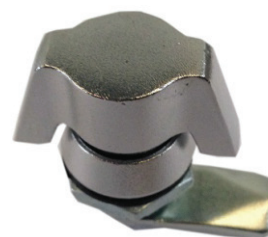
For cutout 14.1, length 13.5, with cylinder  
Wing Quarter-Turn with 90° rotation, RH or LH application.  
The Quarter-Turn consists of two basic components which can be combined to suit your application.

A pre-assembled Quarter-Turn can be installed in the cutout.

**Material:**

**Wing handle and housing:** zinc die, black or chrome plated

**Cam:** steel, zinc plated



Handle lock

Accessories

Handle lock

Cylinder lock

Cylinder lock

Electronic lock

Electronic lock

Swing handle

Swing handle

Rod control lock

Rod control lock

Panel lock

Panel lock

Toggle and hook

Toggle and hook

Handles

Handles

Door stop

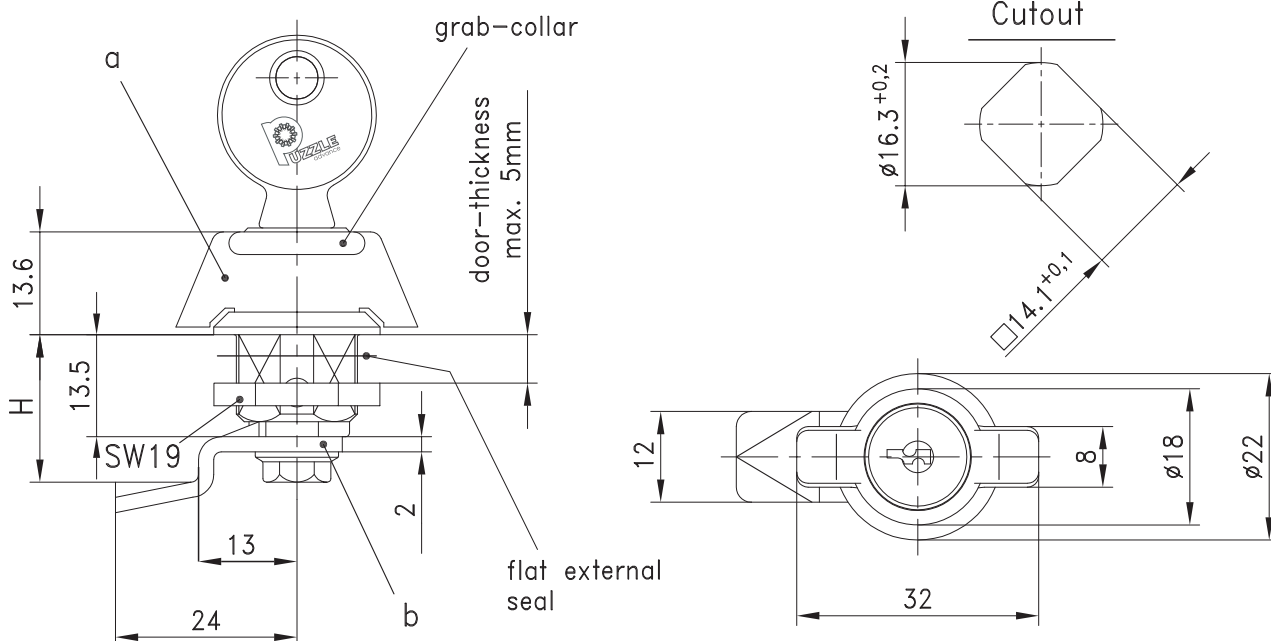
Door stop

Hinge

Hinge

Seal gasket

Seal gasket



**Overview of items**

version	Part No.	Part No.
a) Wing Quarter-Turn with housing screw and flat external seal	chrome plated	surface black
non locking	PA2113210-000	PA2113212-000
keyed alike G2233	PA2113211-000	PA2113213-000
b) Cam H in mm (on request parts can be assembled)		
7.5	PA1070075-000	
13.5	PA1070135-000	
19.5	PA1070195-000	

All locks supplied with two keys.

\* Price and delivery time on request