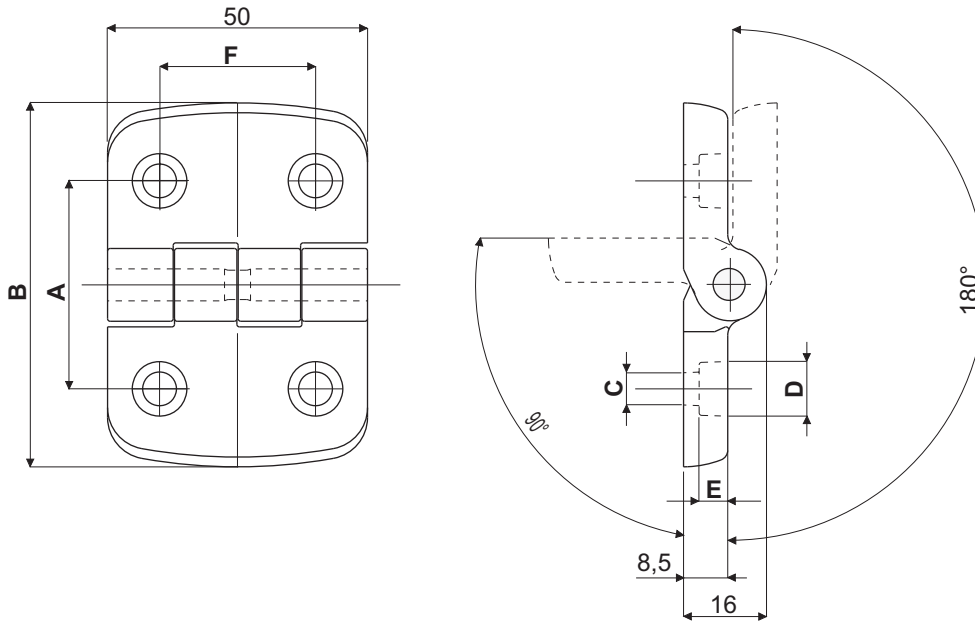




# Hinge 270°

Accessories 270° Hinge made of reinforced polyamide black colour.  
Corrosion-resistant by stainless steel pin.  
**Material:**  
**Hinge parts:** PA, black  
**Pin:** stainless steel



## Overview of items

version	A (mm)	B (mm)	C (mm)	D (mm)	E (mm)	F (mm)	Part No.
<b>Polyamide hinge</b>	34	50	5,5	10,5	3,5	34	<b>PA6120451-0PA</b>
	31	50	5,5	9	5	30	<b>PA6120452-0PA</b>
	40	70	6,5	10,5	6	30	<b>PA6120453-0PA</b>
	46	70	6,5	10,5	6	30	<b>PA6120454-0PA</b>
	46	70	8,5	13,5	5	30	<b>PA6120455-0PA</b>