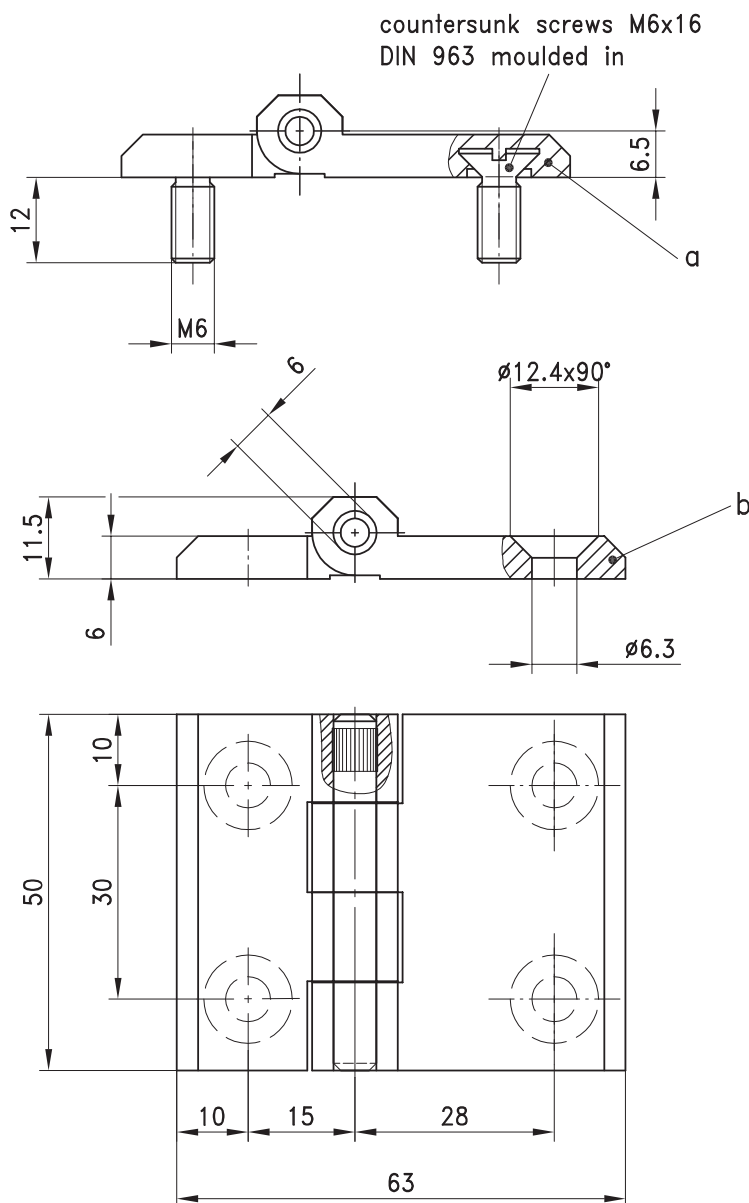
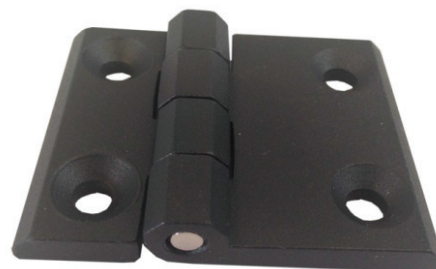




Hinge 180° - 50x63

Accessories
50x63mm, For nested door
Screw-on Hinge.
RH or LH application.
180° Opening angle, version b) 270°.

Handle lock
Material:
a) and b)
Hinge halves: zinc die, chrome plated,
black coated or stainless steel
Pin: stainless steel



Accessories

Handle lock

Cylinder lock

Electronic lock

Swing handle

Rod control lock

Panel lock

Toggle and hook

Handles

Door stop

Hinge

Overview of items

Hinge

Seal gasket

Seal gasket

version	Stainless steel	zinc die, chrome plated	zinc die, black
a) Hinge with molded in countersunk screws	-	PA6120461-0CR	PA6120461-0SW
b) with countersunk holes for M6 - 270° Hinge	PA6120462-SST*	PA6120462-0CR	PA6120462-0SW

* Price and delivery time on request