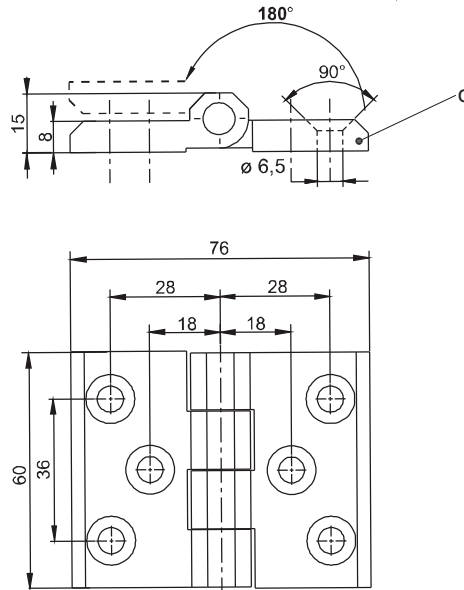
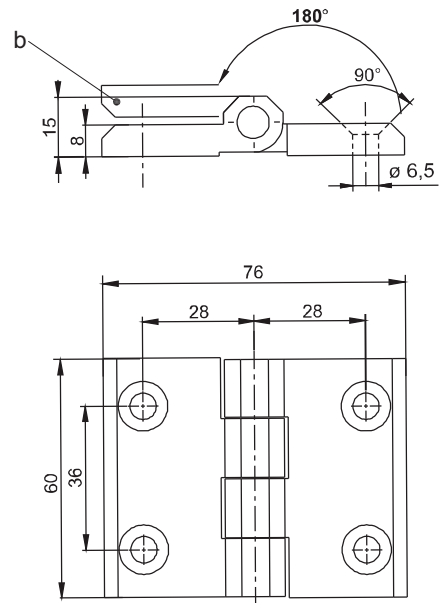
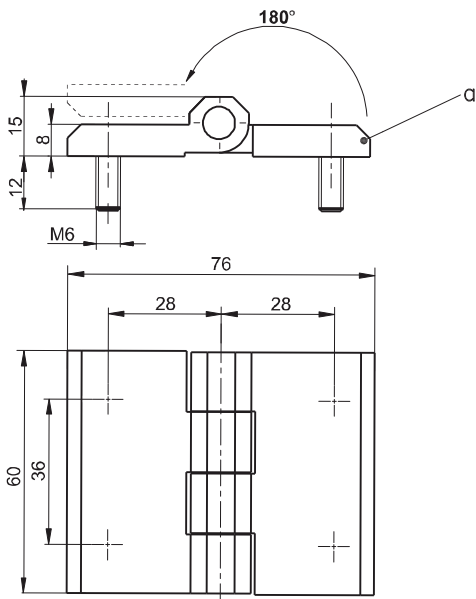




# Hinge 180° - 60x76

Accessories  
 50x63mm, For nested door  
 Screw-on Hinge.  
 RH or LH application.  
 180° Opening angle, version b) 270°.

Material:  
 a) and b)  
**Hinge Parts:** zinc die, chrome plated,  
 black coated or stainless steel  
**Pin:** stainless steel



## Overview of items

version	zinc die, chrome plated	zinc die, black
a) Hinge with molded in countersunk screws	PA6120761-0CR	PA6120471-0SW
b) Hinge with 4 countersunk holes for M6 - 270° Hinge	PA6120762-0CR	PA6120472-0SW
c) Hinge with 6 countersunk holes for M6 - 270° Hinge	PA6120763-0CR	PA6120473-0SW