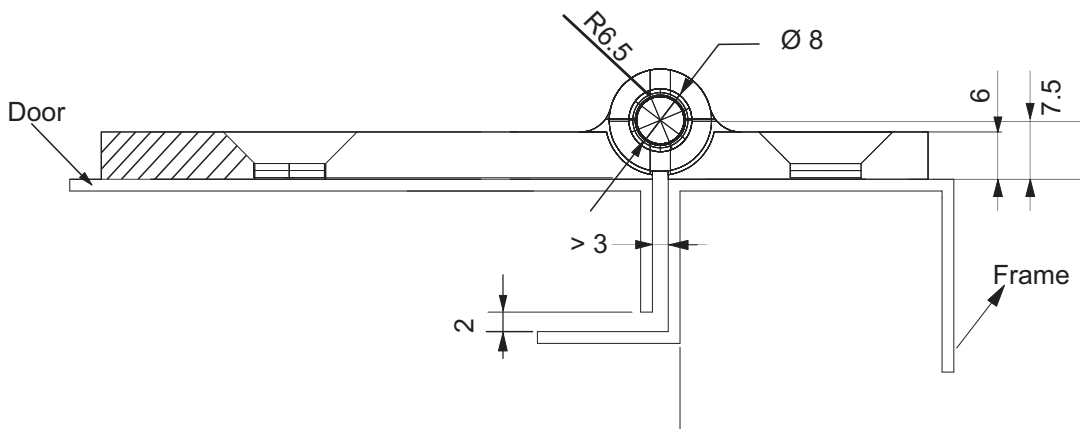
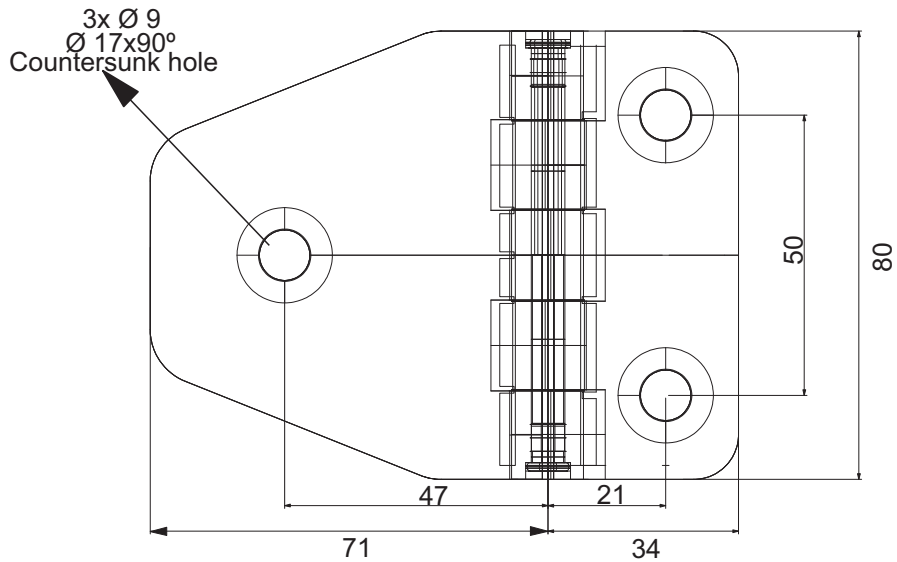




Hinge 180°

RH or LH application.
 180° Opening angle,
Material:
Hinge : PA Black
Pin: Zinc plated steel



Accessories

Handle lock

Cylinder lock

Electronic lock

Swing handle

Rod control lock

Panel lock

Toggle and hook

Handles

Door stop

Hinge

Seal gasket

Accessories

Handle lock

Cylinder lock

Electronic lock

Swing handle

Rod control lock

Panel lock

Toggle and hook

Handles

Door stop

Hinge

Seal gasket

Overview of items

version

Hinge with countersunk holes for M8

Part No.

PA6120460-0PA