



Quarter-Turn, RH or LH application.

Accessories

For cutout 20.1, length 18, with cylinder
Quarter-turn RH or LH application

Material:

Housing: PA, Black or zinc die

Insert: PA Black or zinc die, core

Cam: steel, zinc plated

Handle lock



Cylinder lock

Electronic lock

Swing handle

Rod control lock

Panel lock

Toggle and hook

Handles

Door stop

Hinge

Seal gasket

Accessories

Handle lock

Cylinder lock

Electronic lock

Swing handle

Rod control lock

Panel lock

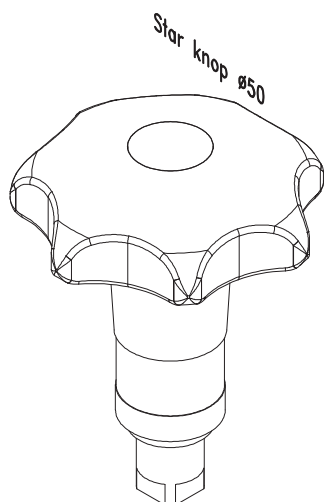
Toggle and hook

Handles

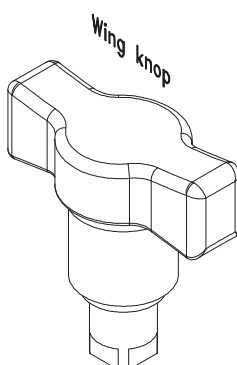
Door stop

Hinge

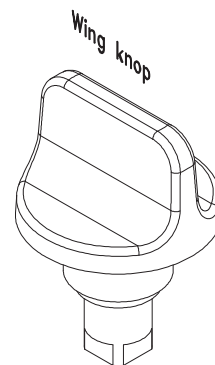
Seal gasket



a)

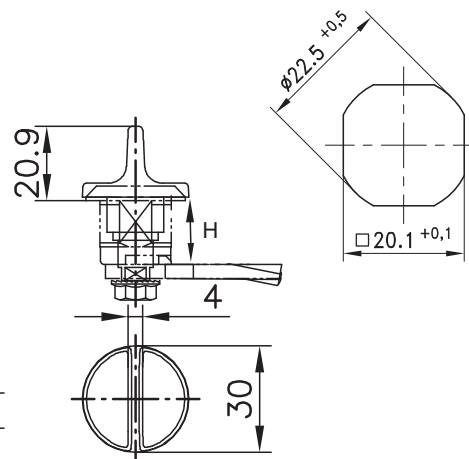
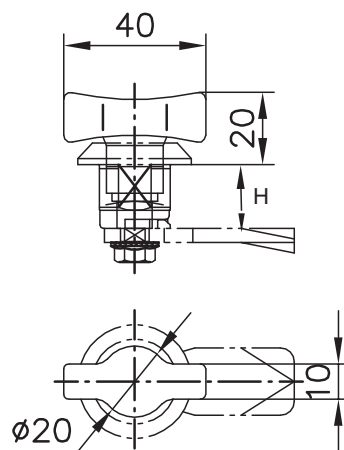
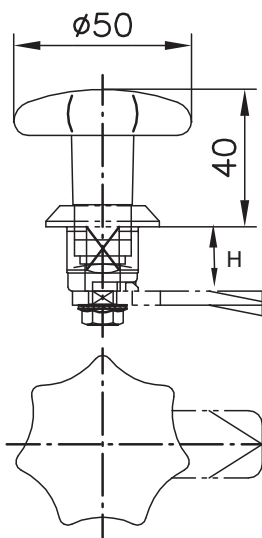


b)



c)

Cutout



Overview of items

version	zinc die, black	PA black, zinc die, core
a) Star knob Ø50	-	PA2106111-000*
b) Wing knob	PA2106120-000	PA2106110-000
c) Wing knob (only for housing Ø28)	PA2106112-000	
Cam steel zinc plated See Page 1A-130 (on request parts can be assembled)		

* Price and delivery time on request

