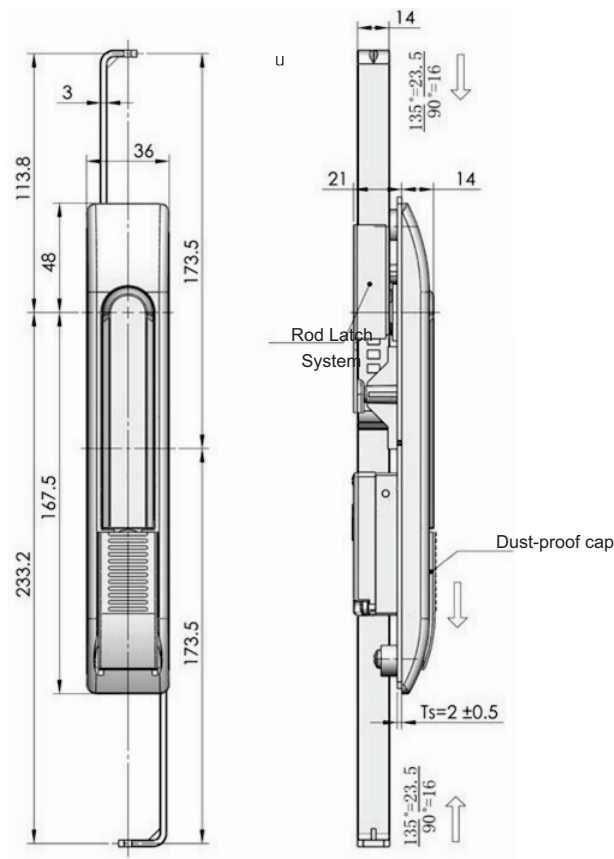
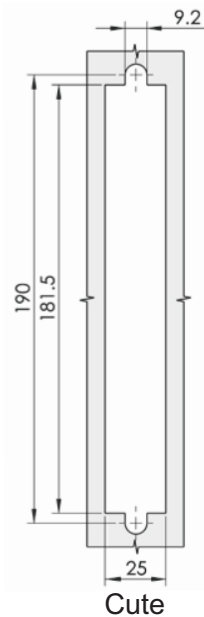




Swinghandle

Accessories
RH or LH application.
Water- and dust-tight according to IP54
Material:
Swinghandle: PA, black
Handle: Black or bright chrome plated ZDC
Dish: PA, black



Overview of items

version

Part No

Rod Latch Version Swing Handle

PA2476100-000