

ROLLER LINEAR SYSTEM

Sheet iron LAZ, LAX rails and PAZ, PAX sliders



LAZ series rails

LAZ series rails and PAZ series sliders are dimensionally identical to the LAX and PAX Series but are much lower in cost because they are made of Zinc plated steel.

The LA series is a simple and functional solution for linear motion. The minimum space requirements, internal protected raceways, ease of assembly, and good load capacity makes this linear bearing system an excellent choice compared to other solutions available on the market.

LAX series rails

LAX series rails and PAX series sliders are constructed entirely of stainless steel and are a simple and functional solution for applications that require high corrosion resistance.

The rails and sliders bodies are made from 300 Series stainless steel with rollers made from 440C.

These are particularly suitable for food processing, pharmaceutical, and medical applications or in difficult environments such as marine environments where there is exposure to highly corrosive agents.

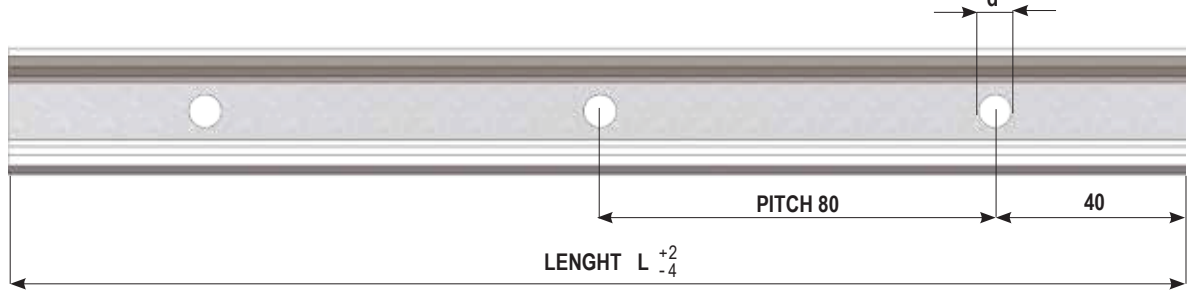
The slider is equipped with 3 rollers. The middle roller is eccentric and is used to adjust the slider preload.

Length L (mm)

LAZ 26 LAX 26	LAZ 40 LAX 40
160	
240	
320	320
400	400
480	480
560	560
640	640
720	720
800	800
880	880
960	960
1040	1040
1120	1120
1200	1200
1280	1280
1360	1360
1440	1440
1520	1520
1600	1600
1680	1680
1760	1760
1840	1840
1920	1920
2000	2000
2080	2080
2160	2160
2240	2240
2320	2320
2400	2400
2480	2480
2560	2560
2640	2640
2720	2720
2800	2800
2880	2880
2960	2960
3040	3040
3120	3120
3200	3200
3280	3280
3360	3360
3440	3440
3520	3520
3600	3600
3680	3680
3760	3760
3840	3840
3920	3920
4000	4000

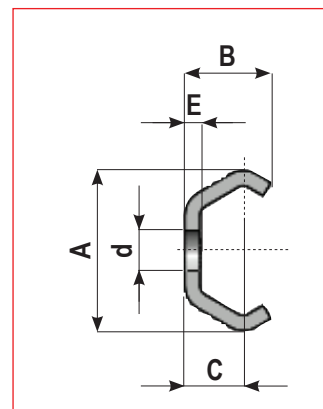
LAZ and LAX sheet iron rails

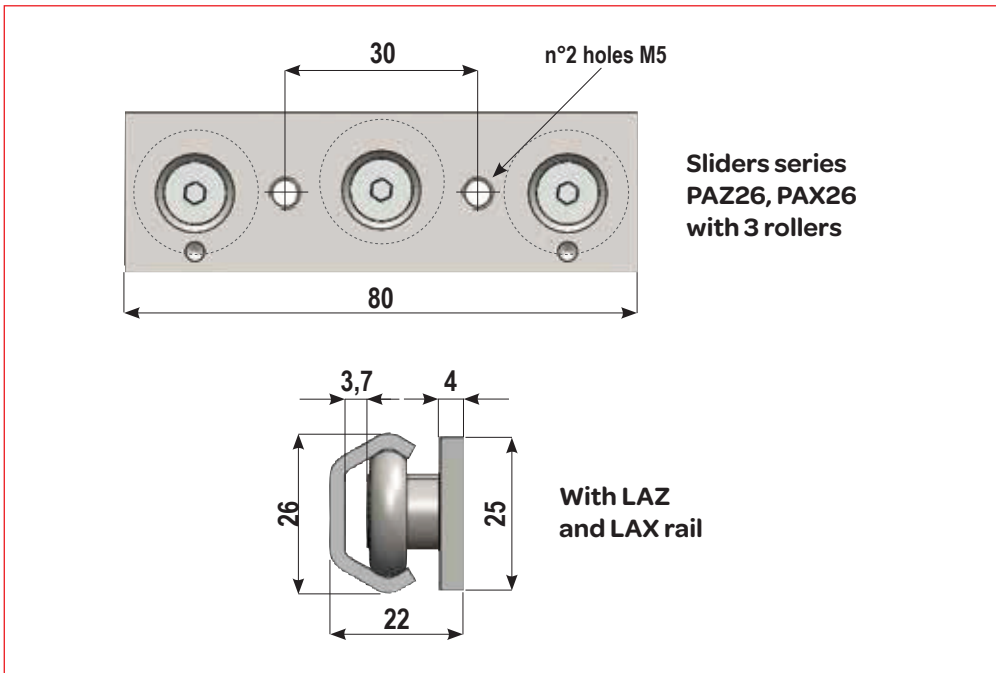
Linear rail dimensions



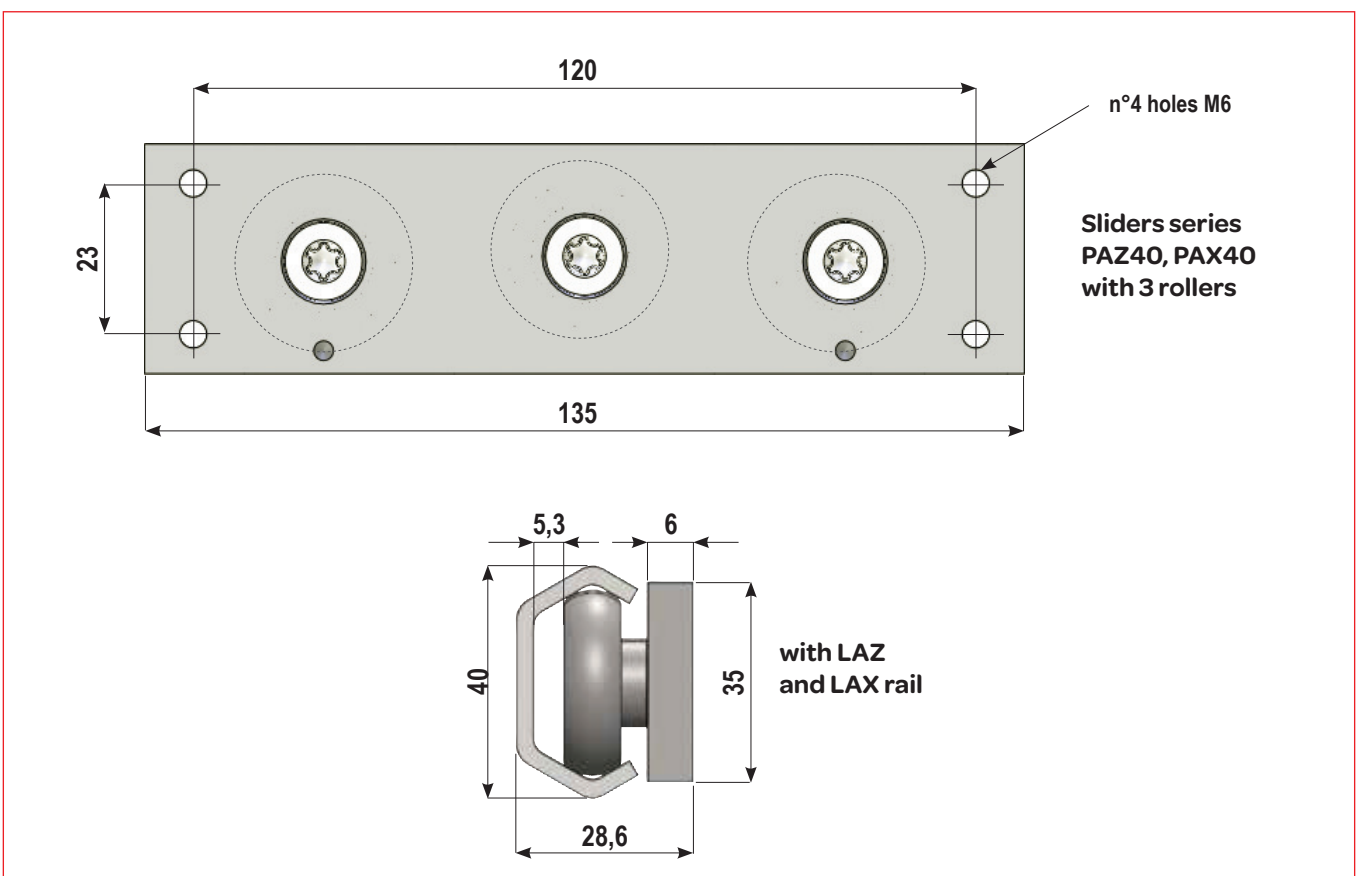
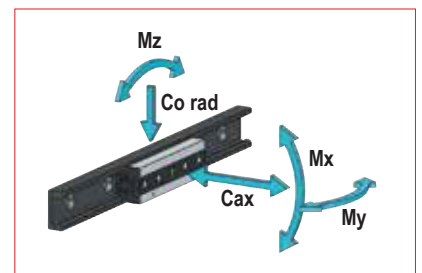
Rail code	A (mm)	B (mm)	C (mm)	d (mm)	E (mm)	Fixing screws	Weight (kg)
LAZ 26	26	14	9,5	6,5	2,5	M5 - ISO 7380	0,67
LAX 26							
LAZ 40	40	21,3	13,3	9	3	M8 - ISO 7380	1,55
LAX 40							

Suitable fixing screws of type ISO 7380





Code	Co rad (N)	Co ax (N)	Mx (Nm)	My (Nm)	Mz (Nm)	Weight (g)
PAZ26 PAX26	800	400	3	9	12	100



Code	Co rad (N)	Co ax (N)	Mx (Nm)	My (Nm)	Mz (Nm)	Weight (g)
PAZ40 PAX40	1600	800	9	23	32	430

The ROLLERACE rollers are designed around a double-row precision ball bearing to guarantee both high radial and axial load capacities. The rollers are protected by a double lip sealing system (2RS) to assure long lifetime, even in difficult environments. The integrated roller pivot has concentric or eccentric shape, to allow for preload setting in the different systems.

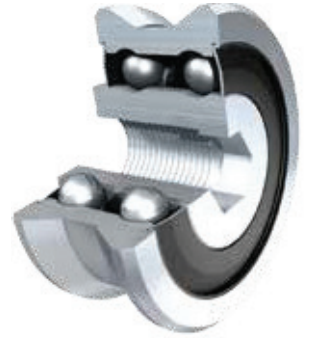
The bearings are made to precision class DIN620 of core-hardened carbon steel. The rollers are available in series R.V with 2 contact points on the protruding

raceways to obtain, a rigid guiding movement.

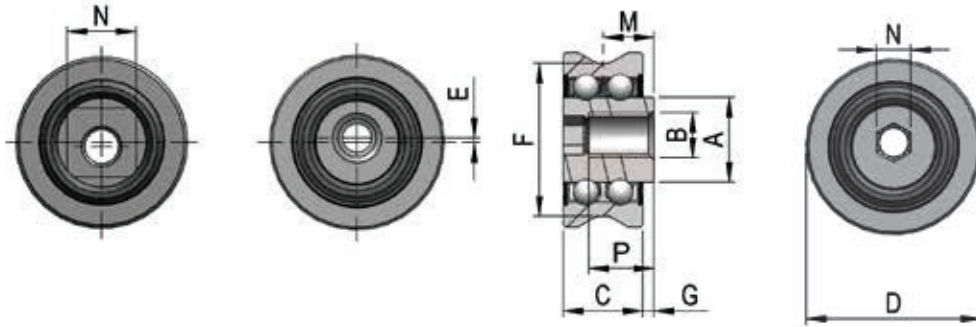
The R.P has the rollers with some limited floating/compensation capacity, as only having one contact point at the central part of the raceways.

The R.F rollers offer much more floating capacity, as one side is completely flat (only rollers in size 43/63).

The rollers of size 28 and 43 are also available in INOX stainless steel series R..X. All made from AISI440 steel, core hardened and ground, for applications in corrosive ambients.



Only size 63

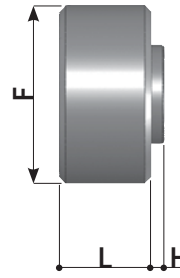
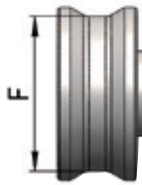


Guiding roller R.V

Floating roller R.P

Freely floating roller R.F

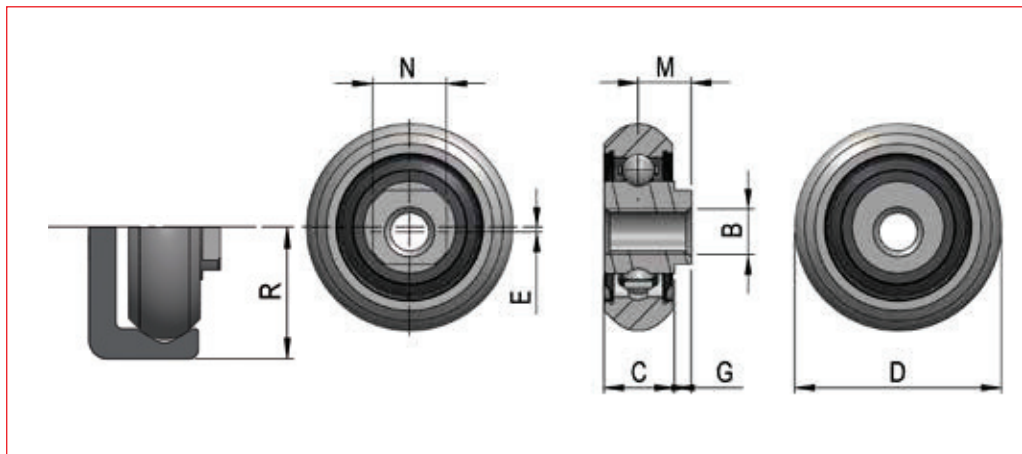
Plain roller R.U



R. rollers for MR, FXR rails

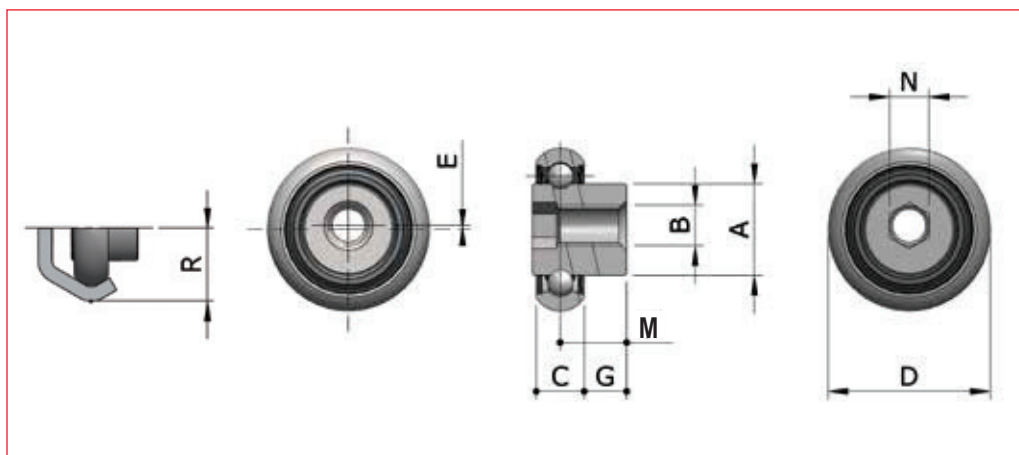
Roller code	Type	E (mm)	D (mm)	C (mm)	M (mm)	G (mm)	N Flat key	A (mm)	B (mm)	P (mm)	R (mm)	F (mm)	L (mm)	H (mm)	Version	Lateral floating x	For rail	Dynamic coeff. C (N)	Load capacity (N)		Weight (g)
																			Co rad	Co ax	
RCV18G	concentric	0	13,2	7,0	4,6	1,1	Allen key 3	6,8	M4	5,4	8,8	11,4			guiding		MRG18	1650	800	230	10
REV18G	eccentric	0,4																			
RCP18G	concentric	0																			
REP18G	eccentric	0,4																			
RCV28	concentric	0	20,0	9,0	6,3	1,75	Allen key 4	10,8	M5	7,0	13,9	17,6			guiding		MR28	3000	1600	460	20
RCVX28	concentric	0																			
REV28	eccentric	0,6																			
REXV28	eccentric	0,6																			
RCP28	concentric	0																			
RCPX28	concentric	0																			
REP28	eccentric	0,6																			
REPX28	eccentric	0,6																			
RCU28	concentric	0	17,8					9,7				17,8	9	1,8	plain	2 (+/-1)					
REU28	eccentric	0,6																			
RCV43	concentric	0	30,8									27			guiding						
RCVX43	concentric	0																			
REV43	eccentric	0,8																			
REXV43	eccentric	0,8																			
RCP43	concentric	0	30,4	14,0	9,0	2,0	Allen key 6	15,0	M8	10,5	21,3	27,2	4,0	7,0	floating	2 (+/-1)	MR43 FXR	7100	3600	1070	50
RCPX43	concentric	0																			
REP43	eccentric	0,8																			
REPX43	eccentric	0,8																			
RCF43	concentric	0																			
REF43	eccentric	0,8																			
RCU43	concentric	0	27,2								27,2	14	2	plain	4,5 (+3/-1,5)						
REU43	eccentric	0,8																			
RCV63	concentric	0	42,4	15,7	10,95	3,1	Flat key 17 Outer dim. for KMR 63	22,1	M10	18,8		38,4			guiding		FXR	11200	6400	2000	80
REV63	eccentric	1,2																			

Position R referred to FXR rail is indicated at page 26



The rollers of series L.V and P.Z are single row bearings with 2Z steel seals.
 The integrated roller pivot has concentric or eccentric shape, to allow for preload setting in the different systems.
 The bearings are made to precision class DIN620 of core-hardened carbon steel.
 The inner ball-retainer is too made of steel for high temperature applications to withstand high temperature.

Roller code	Type	E (mm)	D (mm)	C (mm)	M (mm)	G (mm)	N Flat key	B (mm)	R (mm)	For rail	Dynamic coeff. C (N)	Load capacity (N)		Weight (g)
												Co rad	Co ax	
LCV28	concentric	0	23,25	7,0	5,9	2,4	Flat key Outer dim. 10 for KML 28	M5	14	ML28	2.400	1.000	250	20
LEV28	eccentric	0,6												
LCV43	concentric	0	35,7	11,0	9,4	3,85	Flat key Outer dim. 13 for KML 43	M8	22	ML43	5800	2500	625	50
LEV43	eccentric	0,8												



The rollers series P.. Are also available in stainless steel INOX AISI440 hardened steel for corrosive ambients.

The INOX rollers comes with 2RS seals and lubricated for life with mineral oil for alimentary application or low temperature applications.

Roller code	Type	E (mm)	D (mm)	C (mm)	M (mm)	G (mm)	N Flat key	A (mm)	B (mm)	R (mm)	For rail	Dynamic coeff. C (N)	Load capacity (N)		Weight (g)
													Co rad	Co ax	
PCZ26	concentric	0	20,3	6	8,5	5,5	Allen key 3	11,2	M5	13	LAZ26	900	400	148	10
PEZ26	eccentric	0,6													
PCX26	concentric	0													
PEX26	eccentric	0,6													
PCZ40	concentric	0	31,5	10	9,65	4,65	Allen key 5	15,0	M6	19,6	LAZ40	1800	800	296	40
PEZ40	eccentric	0,7													
PCX40	concentric	0													
PEX40	eccentric	0,7													