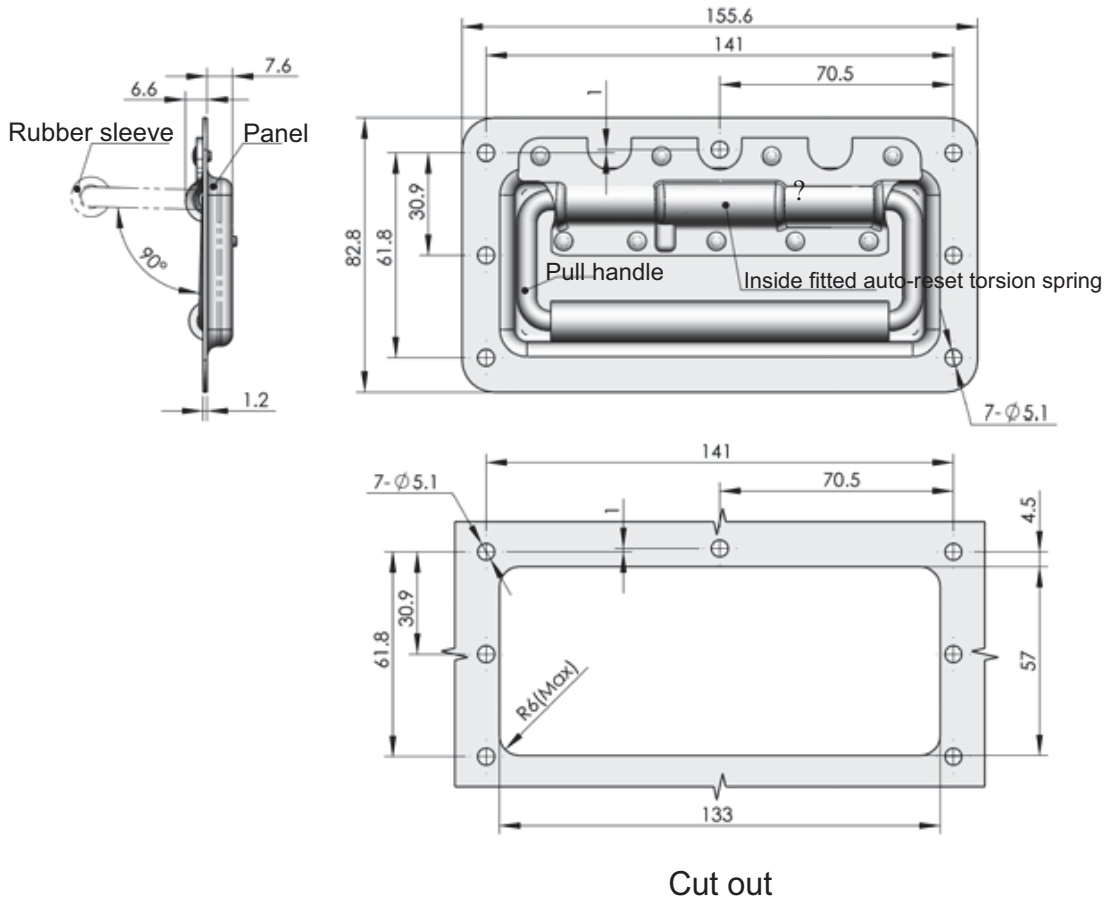




# Drop Handle

**Accessories** **Main material and finish:** Steel recessed panel and pull handle, rubber sleeve, stainless steel spring.



Handle lock

Cylinder lock

Electronic lock

Swing handle

Rod control lock

Panel lock

Toggle and hook

**Handles**

Door stop

Hinge

Seal gasket

Accessories

Handle lock

Cylinder lock

Electronic lock

Swing handle

Rod control lock

Panel lock

Toggle and hook

**Handles**

Door stop

Hinge

Seal gasket

## Overview of items

version  
Recessed spring loaded drop handles

Part No.  
PA4036100-000