



Toggle Latch

Accessories

Flexible · Over-center

Material and Finish

Latch:

Link and bushings:

Glass reinforced nylon

Handle lock

Keeper and bracket: Stainless steel

Performance Details

Clamping force: 49 N

Installation Notes

Install assembly with four Ø 4 rivets or M4 screws (not supplied)

Cylinder lock

Electronic lock

Swing handle

Rod control lock

Panel lock

Toggle and hook

Handles

Door stop

Hinge

Seal gasket

Accessories

Handle lock

Cylinder lock

Electronic lock

Swing handle

Rod control lock

Panel lock

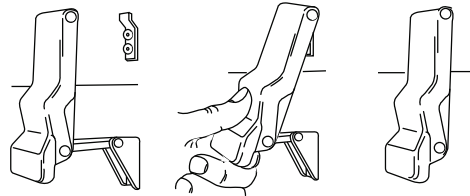
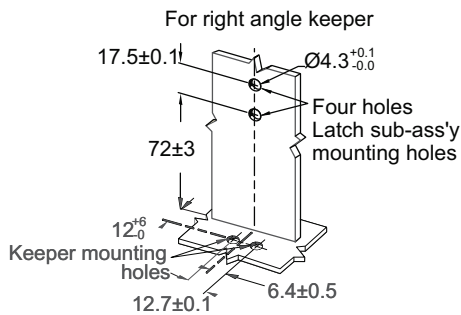
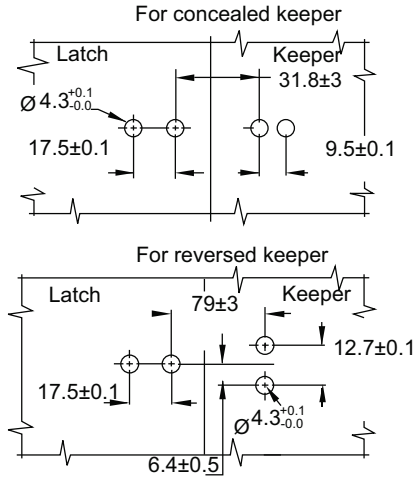
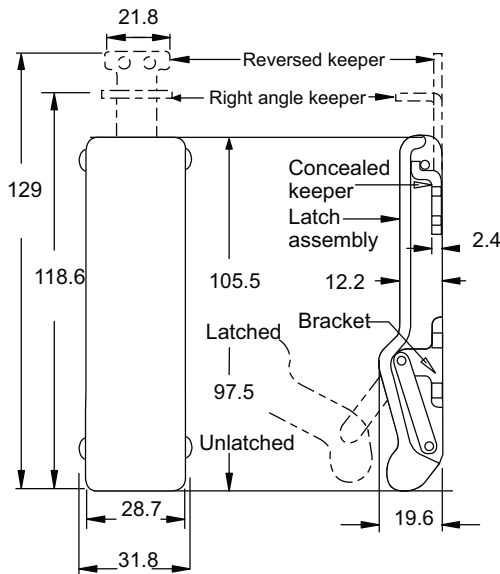
Toggle and hook

Handles

Door stop

Hinge

Seal gasket



Overview of items

version

Part No.

Toggle Latch - Flexible

PA3909171-000

