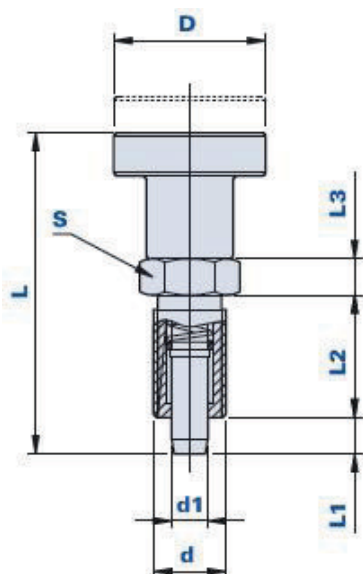
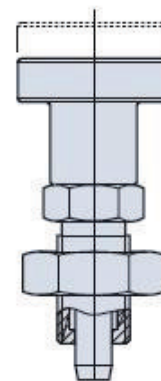


TN716

Spring plunger for positioning



Cod. 121701



Cod. 121701-1



Code	Description	Dimensions								Weight grams	Stock
		D	L	S	d	l1	l2	d1	L3		
0121701	TN716 D.5	21	44	12	M10 x 1	5	17	5	5	17,1	
0121701-1	TN716 D.5 with counter nut	21	44	12	M10x1	5	17	5	5	24,7	

*Code - TN716 D.5 with

Knob material

Glass- fiber reinforced polyamide- based (PA) technopolymer. Resistant to organic and inorganic chemical substances such as oils, greases, fuels and solvents.

Material metal body

Burnished steel. Special executions on request or stainless steel for suitable quantities.

Tip material

Steel toe cap hardened, ground and polished. Special executions on request or stainless steel for suitable quantities.

Handgrip colour

Black with satin finish.

Use

In rest position it locks the rotation and the sliding. By pulling up the knob, the loosening is obtained.

Remarks

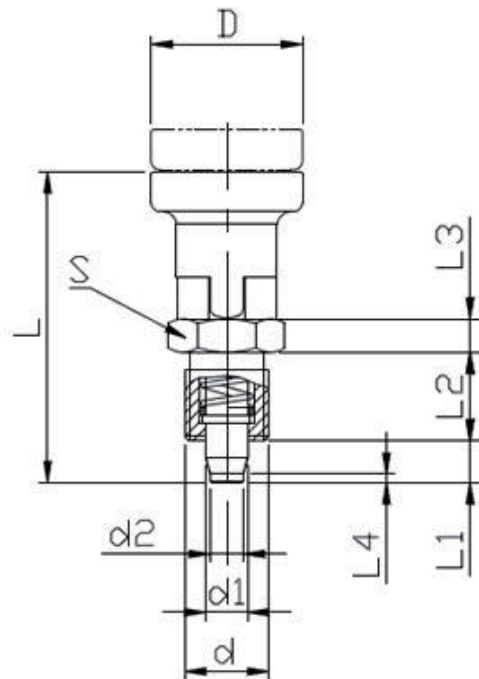
We suggest to make the drilling for the ferrule with tolerance H7.

Package

1 - 5 - 10 pcs.



Knob with stopping pin



Code	Description	Dimensions										Weight grams	Stock
		L	D	S	d	L1	L2	d1	L3	d2	L4		
01-55227	OTB227 D.5 M10X1.25 D.5 M10x1.25	37	17,5	12	M10x1.25	5	10,5	5	4	5	1	13,8	
01-55227-1	OTB227 D.5 M10X1.25 with counter nut	37	17,5	12	M10x1.25	5	10,5	5	4	5	1	21,3	-

Knob material

Glass- fiber reinforced polyamide- based (PA) technopolymer.

Ferrule and metallic body material

Galvanized Steel. Special executions or stainless steel upon request for suitable quantities.

Knob colour

Orange with satin finish

Use

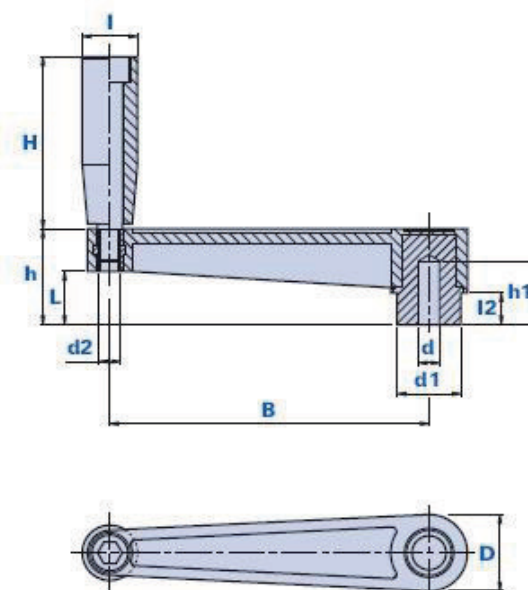
In rest position it locks the rotation and the sliding. By pulling up the knob, the loosening is obtained. By rotating it by 90°, the pin is locked.

Remarks

We suggest to make the drilling for the ferrule with tolerance H7.

Package

1 - 5 - 10 pcs.



Code	Description	Dimensions					Insert			Impugnatura		Weight grams	Stock	
		D	L	B	d2	l2	h	d	d1	h1	H			l
107700015000	1077 - 150 D.10	36	25	150	M10	15	45	10	30	30	81	26	388	

Material

Glass- fiber reinforced polyamide- based (PA) technopolymer. Resistant to organic and inorganic chemical substances such as oils, greases, fuels and solvents.

Colour

Black with satin finish.

Insert

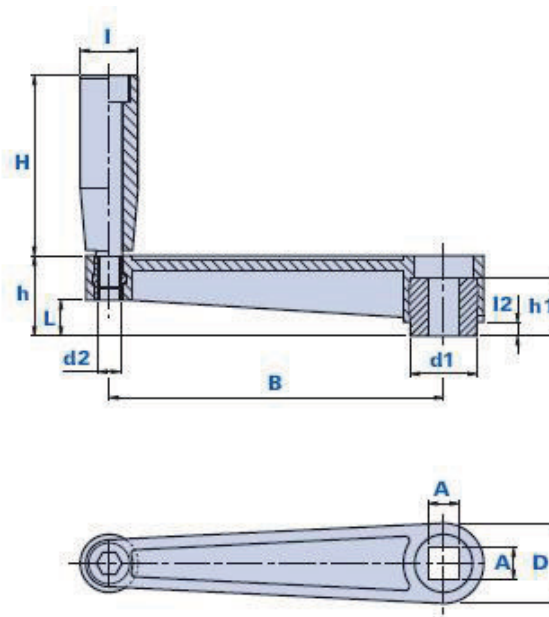
Burnished steel.

Package

1 - 5 - 10 pcs.

1077BFQ

Crank with rotating handgrip



Code	Description	Dimensions						Insert			Impugnatura		Weight grams	Stock
		D	L	B	d2	l2	h	AxA	d1	h1	H	l		
1077BFQ1500	1077BFQ / 150	36	16	150	M10	5	36	14	30	26	81	26	380	

Material

Glass- fiber reinforced polyamide- based (PA) technopolymer. Resistant to organic and inorganic chemical substances such as oils, greases, fuels and solvents.

Colour

Black with satin finish.

Insert

Brass.

Package

1 - 5 - 10 pcs.