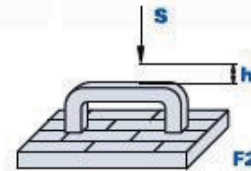
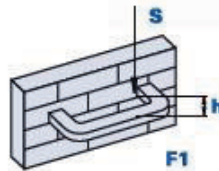
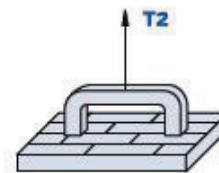
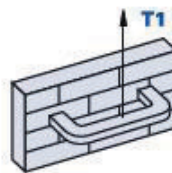
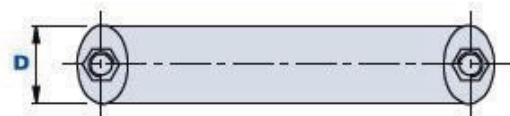
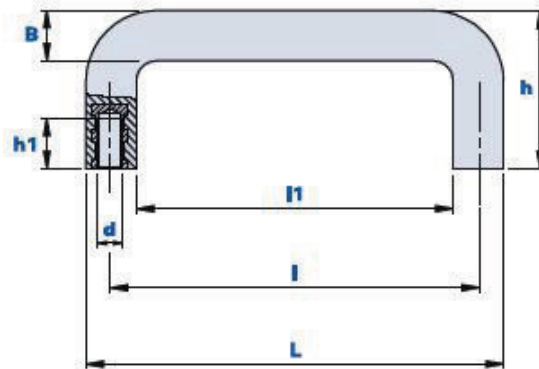


M20

Bridge handle with blind threaded bushes



$$I(J) = P(N) + h(m)$$



Code	Description	Dimensions						Insert	T1 - T2		F1 - F2		Weight grams	Stock	
		L	D	h	B	I1	I		d	h1	(N)	(N)			(J)
01M20086C	M20/086 M6	102	24	45	14	71	86	M6	16	2650	3050	8,5	12,5	53	
01M20086D	M20/086 M8	102	24	45	14	71	86	M8	16	2650	3050	8,5	12,5	51	-
01M20117C	M20/117 M6	132	25	50	16	100	117	M6	16	2500	3400	8,5	12,5	79	
01M20117D	M20/117 M8	132	25	50	16	100	117	M8	16	2500	3400	8,5	12,5	82	
01M20120C	M20/120 M6	132	25	50	16	100	120	M6	16	2500	3400	8,5	12,5	79	
01M20120D	M20/120 M8	132	25	50	16	100	120	M8	16	2500	3400	8,5	12,5	82	

Material

Glass- fiber reinforced polyamide- based (PA) technopolymer.

Resistant to organic and inorganic chemical substances such as oils, greases, fuels and solvents.

Colour

Black with satin finish.

Other colours for suitable quantities.



Thenar Srl - Via della Costituzione, 66 - 42015 Correggio (RE) Italy

Tel. +39 0522 740511 - Fax +39 0522 740555 - info@thenar.it - www.thenar.it

THENAR models are reserved property under the law - Non- reproducible drawings unless the source is cited.

Insert

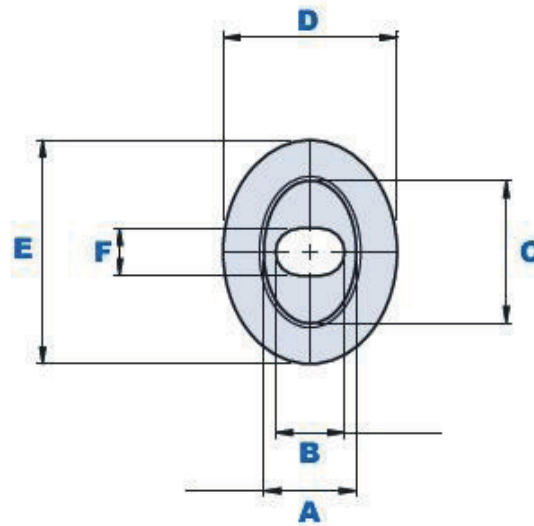
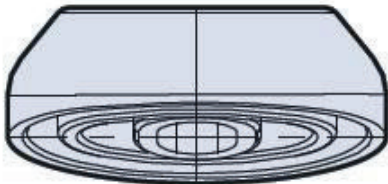
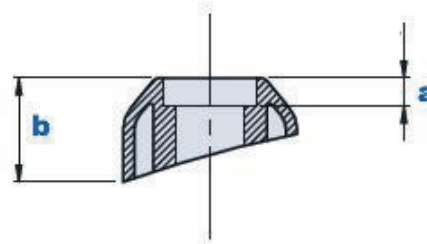
Brass.

Package

10 - 50 - 100 pcs.

RM20

Accessory for the assembly of M20 handle on cylinders



Code	Description	Lateral		Plant						Stock
		a	b	A	B	C	D	E	F	
01RM20	Washer M20	5	18,6	16,5	12,3	25,5	31	40	8,4	

Material

High resistance special technopolymer.

Resistant to organic and inorganic chemical substances such as oils, greases, fuels and solvents.

Description

Washer that enables the assembly of M20 handle in all its versions on cylinders with min. diameter 360 and max. diameter 550.

Colour

Black with satin finish.

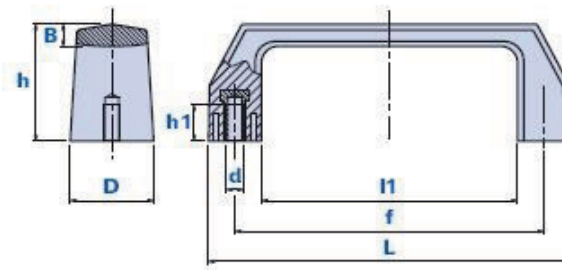
Other colours for suitable quantities.

Package

50 - 100 - 200 pcs.

1046F

Bridge handle with blind threaded bushes



Code	Description	Dimensions						Insert		Weight grams	Stock
		L	D	h	B	l1	f	d	h1		
1046F0120500	1046F-120- M5	120	27	37	8	88	105	M5	8	64	-
1046F0120600	1046F-120- M6	120	27	37	8	88	105	M6	8	64	
1046F0136500	1046F-136- M5	136	30	41	8	98	117	M5	13	64	-
1046F0136600	1046F-136- M6	136	30	41	8	98	117	M6	13	64	
1046F0136800	1046F-136- M8	136	30	41	8	98	117	M8	13	64	

Material

Glass- fiber reinforced polyamide- based (PA) technopolymer. Resistant to organic and inorganic chemical substances such as oils, greases, fuels and solvents.

Colour

Black with satin finish.

Other colours for suitable quantities.

Insert

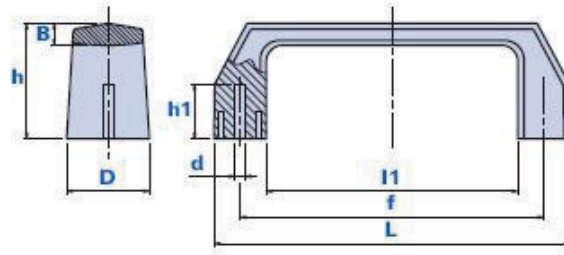
Brass

Package

10 - 50 - 100 pcs.

1046AF

Bridge handle with smooth hole



Code	Description	Dimensions						Insert		Weight grams	Stock
		L	D	h	B	l1	f	d	h1		
1046AF135400	1046AF - 135 Hole 4	136	30	41	8	98	117	4	20	64	-

Material

Glass- fiber reinforced polyamide- based (PA) technopolymer. Resistant to organic and inorganic chemical substances such as oils, greases, fuels and solvents.

Colour

Black with satin finish.

Other colours for suitable quantities.

Assembly

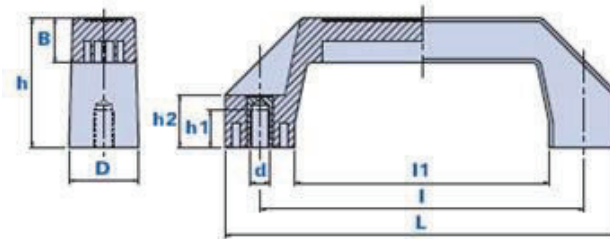
With self- threading screws.

Package

10 - 50 - 100 pcs.

1092F

Bridge handle with blind threaded bushes



Code	Description	Dimensions							Insert		Weight grams	Stock
		L	D	h	B	l1	l	h2	d	h1		
1092F0612900	1092F-130 M6	158	28	52	18	102	130	21	M6	8,5	88	-
1092F0812900	1092F-130 M8	158	28	52	18	102	130	21	M8	8,5	88	-
1092F1012900	1092F-130 M10	158	28	52	18	102	130	21	M10	8,5	88	-

Material

Glass- fiber reinforced polyamide- based (PA) technopolymer. Resistant to organic and inorganic chemical substances such as oils, greases, fuels and solvents.

Colour

Black with satin finish.

Other colours for suitable quantities.

Insert

Brass.

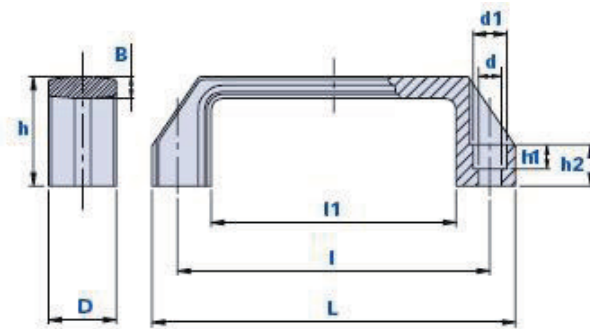
Package

10 - 50 - 100 pcs.

MU117



Bridge handles with built-in seat and fixing through cylindrical head screws



Code	Description	Dimensions										Weight grams	Stock
		L	D	h	B	l1	l	d	h1	d1	h2		
01MU117C	MU117 D.6,5	134	25	40	8	90	117	6,5	9	12,5	15	48	
01MU117D	MU117 D.8,5	134	25	40	8	90	117	8,5	9	12,5	15	48	

Material

Glass- fiber reinforced polyamide- based (PA) technopolymer. Resistant to organic and inorganic chemical substances such as oils, greases, fuels and solvents.

Colour

Black with satin finish.

Other colours for suitable quantities.

Insert

Seat for cylindrical head screw with built-in hexagon.

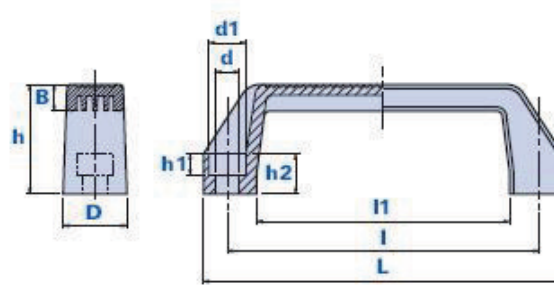
Package

10 - 50 - 100 pcs.

1080-1090



Bridge handle with built- in seat and fixing through cylindrical head screws



Code	Description	Dimensions										Weight grams	Stock
		L	D	h	B	l1	l	d	h1	d1	h2		
108000011700	1080-117 D.9	135	24	41	10	95	117	9	8	14	15	28	
109000017500	1090-175 D.9	195	28	50	12	155	175	9	8	14	15	44	

Material

Polypropylene- based (PP) technopolymer. Resistant to organic and inorganic chemical substances such as oils, greases, fuels and solvents.

Colour

Black with satin finish.

Other colours for suitable quantities.

Insert

Seat for cylindrical head screw with built- in hexagon.

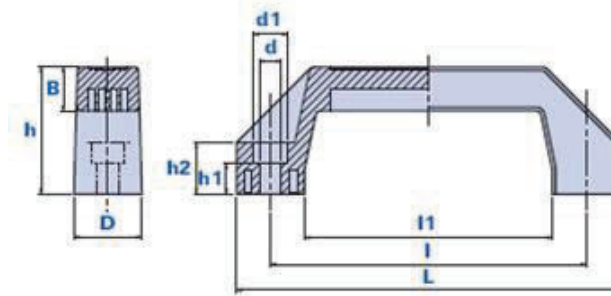
Package

10 - 50 - 100 pcs.

1092FP



Bridge handle with built- in seat and fixing through cylindrical head screws



Code	Description	Dimensions										Weight grams	Stock
		L	D	h	B	l1	l	d	h1	d1	h2		
1092FP012900	1092FP-130 D.9	158	28	52	18	102	130	9	8,5	14	21	68	

Material

Glass- fiber reinforced polyamide- based (PA) technopolymer. Resistant to organic and inorganic chemical substances such as oils, greases, fuels and solvents.

Colour

Black with satin finish.

Other colours for suitable quantities.

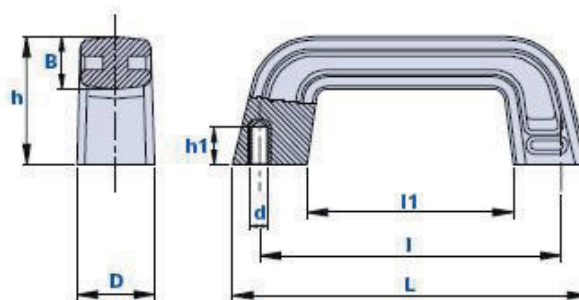
Insert

Seat for cylindrical head screw with built- in hexagon.

Package

10 - 50 - 100 pcs.

Bridge handle with blind threaded bushes



Code	Description	Dimensions						Insert		Weight grams	Stock
		L	D	h	B	I1	I	d	h1		
01342TD	MAN.342 M8 PP Polypropylene	156	34	56	23	90,5	132	M8	16	120	
01342TND	MAN.342 M8 PA Polyamide	156	34	56	23	90,5	132	M8	16	147	
01342TNE	MAN.342 M10 PA Polyamide	156	34	56	23	90,5	132	M10	14	147	

Material

Glass- fiber reinforced polyamide- based PA technopolymer. Resistant to organic and inorganic chemical substances such as oils, greases, fuels and solvents. Polypropylenic- based (PP) technopolymer. Resistant to organic and inorganic chemical substances such as oils, greases, fuels and solvents.

Colour

Black satin finish.

Other colours for suitable quantities.

Insert

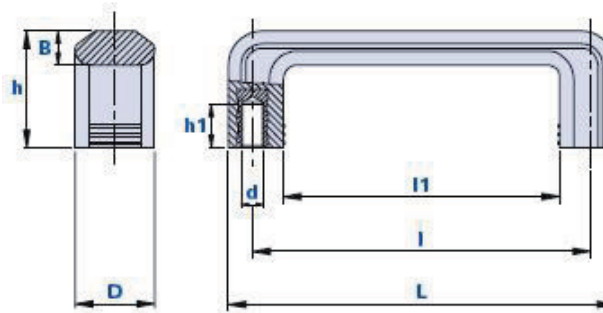
Brass.

Package

10 - 50 - 100 pcs.

200T

Bridge handle with blind threaded bushes



Code	Description	Dimensions						Insert		Weight grams	Stock
		L	D	h	B	l1	l	d	h1		
01200T3C	200T3/120 M6	137	28	41	12	98	120	M6	98	94	
01200T4D	200T4/120 M8	137	28	41	12	98	120	M8	98	95	
01200T5E	200T5/120 M10	137	28	41	12	98	120	M10	98	103	

Material

High resistance phenolyc- based (PF) duroplast.

Resistant to organic and inorganic chemical substances such as oils, grease, fuels and solvents.

Colour

Black with satin finish.

Insert

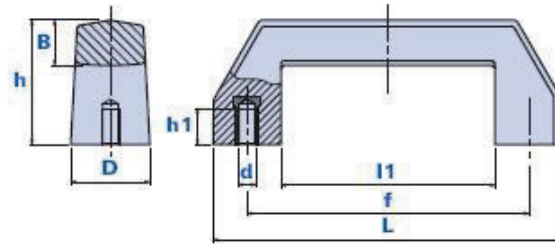
Brass.

Package

10 - 50 - 100 pcs.

1041F

Bridge handle with blind threaded bushes



Code	Description	Dimensions						Insert		Weight grams	Stock
		L	D	h	B	l1	f	d	h1		
104101400800	1041F-140- M8	140	30	48	18	89	117	M8	16	127	-
104101600800	1041F-160- M8	162	35	55	20	102	132	M8	16	195	-
104101601000	1041F-160- M10	162	35	55	20	102	132	M10	16	192	-

Material

High resistance phenolyc- based (PF) duroplast.

Resistant to organic and inorganic chemical substances such as oils, grease, fuels and solvents.

Colour

Black with satin finish.

Insert

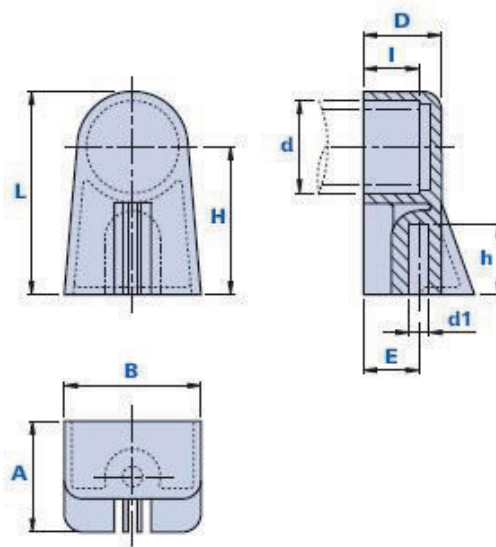
Brass.

Package

100 pcs.

1079AF

Support



Code	Description	Dimensions										Weight grams	Stock
		A	B	D	L	E	d1	h	H	d	I		
1079AF004500	1079/ AF D.20	30	37	21	55	15	5,5	19	40	20	15	18,8	-
1079AF005500	1079/ AF D.25	30	37	21	55	15	5,5	19	40	25	15	18,2	

Material

Glass- fiber reinforced polyamide- based (PA) technopolymer.

Resistant to organic and inorganic chemical substances such as oils, greases, fuels and solvents.

Colour

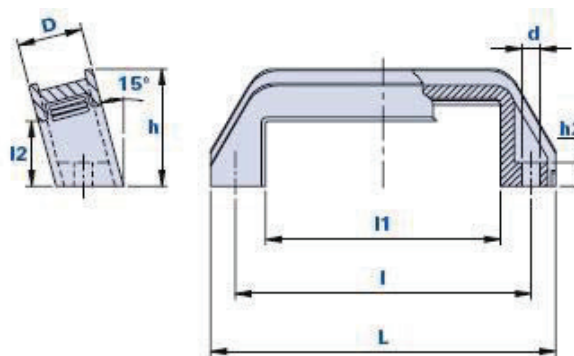
Black with satin finish.

Other colours for suitable quantities.

Package

100 - 200 - 500 pcs.

Bridge handle with inclined based



Code	Description	Dimensions								Weight grams	Stock
		L	D	h	l1	l2	l	d	h2		
01TCA	Handle without band	126	24	43	86	24	108	6,5	9	44	
01TCAF	Handle with Orange band	126	24	43	86	24	108	6,5	9	44	

Materials

Glass- fiber reinforced polyamide- based (PA) technopolymer. Resistant to oraganic and inorganic chemical substances such as oils, greases, fuels and solvents.

Colour

Black with satin finish.

Other colours for suitable quantities.

Band

Orange satin finish.

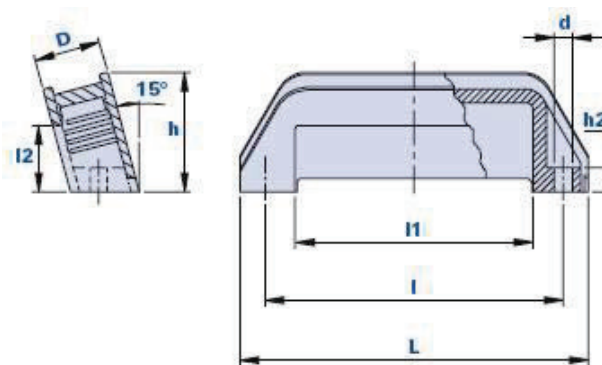
For suitable quantities bands are available in other colours.

Insert

Seat for cylindrical head screw with built- in hexagon.

Package

10 - 50 - 100 pcs.



Code	Description	Dimensions								Weight grams	Stock
		L	D	h	l1	l2	l	d	h2		
01TC1	Handle without band	126	24	43	86	24	108	6,5	9	45	
01TCF1	Handle with Orange band	126	24	43	86	24	108	6,5	9	45	

Material

Glass- fiber reinforced polyamide- based (PA) technopolymer. Resistant to organic and inorganic chemical substances such as oils, greases, fuels and solvents.

Colour

Black with satin finish.

Other colours for suitable quantities.

Band

Orange satin finish.

For suitable quantities bands are available in other colours.

Insert

Seat for cylindrical head screw with built- in hexagon.

Package

10 - 50 - 100 pcs.

MX125

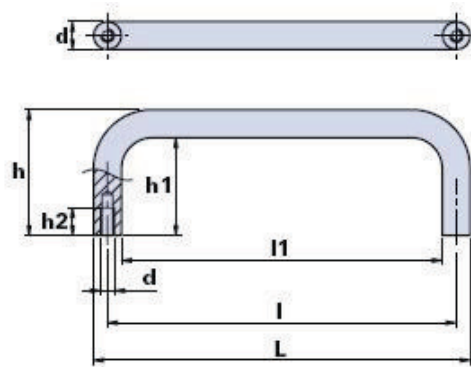
Stainless steel bridge handle



inox



BY BETT SISTEMI



Code	Description	Dimensions						Insert		Weight grams	Stock
		L	D	h	h1	l1	l	d	h2		
01MX125B	MX125/125 M5	135	10	45	35	115	125	M5	10	112	

Material

Round section, diameter 10, in stainless steel 304, with slightly satin finish, resistant to scratches and shocks.

Insert

Threading directly obtained in the steel round section.

Package

10 pcs.

MXP125

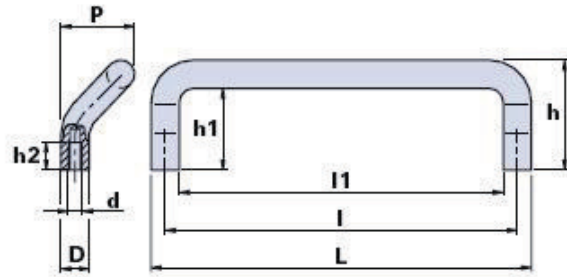
Stainless steel asymmetrical bridge handle



inox



BY BETT SISTEMI



Code	Description	Dimensions							threading		Weight grams	Stock
		L	P	D	h	h1	l1	l	d	h2		
01MXP125B	MXP125/125 M5	135	26	10	45	35	115	125	M5	10	112	

Material

Round section diameter 10 in stainless steel 304 with slightly satin finish, resistant to scratches and shocks.

Satin

Insert

Threading directly obtained in the steel round section

Package

10 pcs.