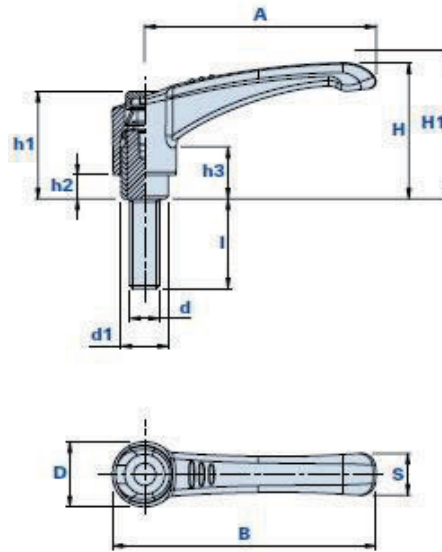


Metal adjustable clamping lever with threaded pin

META



How to order:

Example: handle code 01NHA45C15 with yellow cap = code 01NHA45C15-G

Black cap: Cod. + N	Yellow cap: Cod. + G	Red cap: Cod. + R	Green cap: Cod. + V	Blue cap: Cod. + B	Orange cap: Cod. + A
-------------------------------	--------------------------------	-----------------------------	-------------------------------	------------------------------	--------------------------------

Code	Description	Dimensions										Insert		Weight grams	Stock
		A	B	D	S	H	H1	h1	h3	d1	h2	d	l		
01NHA45C15..	NHA- P45M6x15	45	52	13,6	9,4	30	34	25	10,5	10	4,2	M6	15	28	
01NHA45C20..	NHA- P45M6x20	45	52	13,6	9,4	30	34	25	10,5	10	4,2	M6	20	30	
01NHA45C25..	NHA- P45M6x25	45	52	13,6	9,4	30	34	25	10,5	10	4,2	M6	25	32	
01NHA60D15..	NHA- P60M8x15	62,5	71	18	12	38,5	42,5	30,5	18	13,5	6	M8	15	71	
01NHA60D20..	NHA- P60M8x20	62,5	71	18	12	38,5	42,5	30,5	18	13,5	6	M8	20	74	
01NHA60D25..	NHA- P60M8x25	62,5	71	18	12	38,5	42,5	30,5	18	13,5	6	M8	25	76	
01NHA60D30..	NHA- P60M8x30	62,5	71	18	12	38,5	42,5	30,5	18	13,5	6	M8	30	78	
01NHA60D40..	NHA- P60M8x40	62,5	71	18	12	38,5	42,5	30,5	18	13,5	6	M8	40	80	
01NHA78E20..	NHA- P78M10x20	77,5	88	21	14	46	50	36	20	16	8	M10	20	120	
01NHA78E25..	NHA- P78M10x25	77,5	88	21	14	46	50	36	20	16	8	M10	25	123	
01NHA78E30..	NHA- P78M10x30	77,5	88	21	14	46	50	36	20	16	8	M10	30	127	
01NHA78E40..	NHA- P78M10x40	77,5	88	21	14	46	50	36	20	16	8	M10	40	130	
01NHA92F30..	NHA- P92M12x30	92	104	24	16,5	53,5	57	42	25	19	9,5	M12	30	134	
01NHA92F40..	NHA- P92M12x40	92	104	24	16,5	53,5	57	42	25	19	9,5	M12	40	140	
01NHA45C15A..	NHA- P45M6x15 Orange	45	52	13,6	9,4	30	34	25	10,5	10	4,2	M6	15	28	
01NHA45C20A..	NHA- P45M6x20 Orange	45	52	13,6	9,4	30	34	25	10,5	10	4,2	M6	20	30	
01NHA45C25A..	NHA- P45M6x25 Orange	45	52	13,6	9,4	30	34	25	10,5	10	4,2	M6	25	32	
01NHA60D15A..	NHA- P60M8x15 Orange	62,5	71	18	12	38,5	42,5	30,5	18	13,5	6	M8	15	71	
01NHA60D20A..	NHA- P60M8x20 Orange	62,5	71	18	12	38,5	42,5	30,5	18	13,5	6	M8	20	74	
01NHA60D25A..	NHA- P60M8x25 Orange	62,5	71	18	12	38,5	42,5	30,5	18	13,5	6	M8	25	76	
01NHA60D30A..	NHA- P60M8x30 Orange	62,5	71	18	12	38,5	42,5	30,5	18	13,5	6	M8	30	78	
01NHA60D40A..	NHA- P60M8x40 Orange	62,5	71	18	12	38,5	42,5	30,5	18	13,5	6	M8	40	80	
01NHA78E20A..	NHA- P78M10x20 Orange	77,5	88	21	14	46	50	36	20	16	8	M10	20	120	

01NHA78E25A..	NHA- P60M8x20 Orange	77,5	88	21	14	46	50	36	20	16	8	M10	25	123	
01NHA78E30A..	NHA- P78M10x30 Orange	77,5	88	21	14	46	50	36	20	16	8	M10	30	127	
01NHA78E40A..	NHA- P78M10x40 Orange	92	88	21	14	46	50	36	20	16	8	M10	40	130	
01NHA92F30A..	NHA- P92M12x30 Orange	92	104	24	16,5	53,5	57	42	25	19	9,5	M12	30	134	
01NHA92F40A..	NHA- P92M12x40 Orange	92	104	24	16,5	53,5	57	42	25	19	9,5	M12	40	140	

Standard Code is for **black handle without button**.

Code for orange handle without button.

Clamping lever material

Die- cast zinc alloy with epoxide resin painting.

Clamping lever colour

Black RAL 9005 with satin finish. Orange RAL 2004 with shiny finish. Other colours for medium quantities.

Locking elements

Galvanized steel with toothing, directly obtained.

Return spring

Burnished steel.

Stop screw

Galvanized steel. It can be used for the assembly of the lever with nut- runner.

Screw cover button

In technopolymer with shiny finish. Standard colour: orange RAL 2004 for black lever and black RAL 7021 for orange lever.

Other available colours: yellow RAL 1021, red RAL 3020, green RAL 6018, blue RAL 5015.

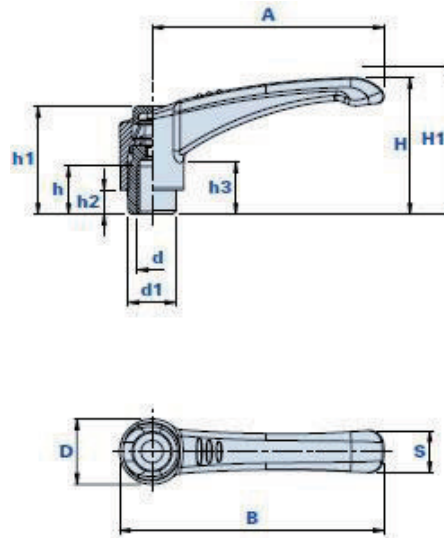
Customisation of the button with client's logo for suitable quantities.

Package

10 - 50 - 100 pcs.

Metal adjustable clamping lever with threaded bush

META



How to order:

Example: handle code 01NHA45B with yellow cap = code 01NHA45B-G

Black cap: Cod. + N	Yellow cap: Cod. + G	Red cap: Cod. + R	Green cap: Cod. + V	Blue cap: Cod. + B	Orange cap: Cod. + A
-------------------------------	--------------------------------	-----------------------------	-------------------------------	------------------------------	--------------------------------

Code	Description	Dimensions										Insert		Weight grams	Stock
		A	B	D	S	H	H1	h1	h3	d1	h2	d	h		
01NHA45B..	NHA- B45M5	45	52	13,6	9,4	30	34	25	10,5	10	4,2	M5	8	28	
01NHA45C..	NHA- B45M6	45	52	13,6	9,4	30	34	25	10,5	10	4,2	M6	8	27	
01NHA60C..	NHA- B60M6	62,5	71	18	12	38,5	42,5	30,5	18	13,5	6	M6	11	66	
01NHA60D..	NHA- B60M8	62,5	71	18	12	38,5	42,5	30,5	18	13,5	6	M8	11	64	
01NHA78D..	NHA- B78M8	77,5	88	21	14	46	50	36	20	16	8	M8	16	110	
01NHA78E..	NHA- B78M10	77,5	88	21	14	46	50	36	20	16	8	M10	16	107	
01NHA78F..	NHA- B78M12	77,5	88	21	14	46	50	36	20	16	8	M12	16	102	
01NHA92E..	NHA- B92M10	92	104	24	16,5	53,5	57	42	25	19	9,5	M10	20	166	
01NHA92F..	NHA- B92M12	92	104	24	16,5	53,5	57	42	25	19	9,5	M12	20	160	
01NHA92N..	NHA- B92M14	92	104	24	16,5	53,5	57	42	25	19	9,5	M14	20	155	
01NHA45BA..	NHA- B45M5 Orange	45	52	13,6	9,4	30	34	25	10,5	10	4,2	M5	8	28	
01NHA45CA..	NHA- B45M6 Orange	45	52	13,6	9,4	30	34	25	10,5	10	4,2	M6	8	27	
01NHA60CA..	NHA- B60M6 Orange	62,5	71	18	12	38,5	42,5	30,5	18	13,5	6	M6	11	66	
01NHA60DA..	NHA- B60M8 Orange	62,5	71	18	12	38,5	42,5	30,5	18	13,5	6	M8	11	64	
01NHA78DA..	NHA- B78M8 Orange	77,5	88	21	14	46	50	36	20	16	8	M8	16	110	
01NHA78EA..	NHA- B78M10 Orange	77,5	88	21	14	46	50	36	20	16	8	M10	16	107	
01NHA78FA..	NHA- B78M12 Orange	77,5	88	21	14	46	50	36	20	16	8	M12	16	102	
01NHA92EA..	NHA- B92M10 Orange	92	104	24	16,5	53,5	57	42	25	19	9,5	M10	20	166	
01NHA92FA..	NHA- B92M12 Orange	92	104	24	16,5	53,5	57	42	25	19	9,5	M12	20	160	
01NHA92NA..	NHA- B92M14 Orange	92	104	24	16,5	53,5	57	42	25	19	9,5	M14	20	155	

Standard Code is for a black handle without button.

The Code 01NHA45BA is for orange handle without button.

Clamping lever material

Die- cast zinc alloy with epoxide resin painting.

Clamping lever colour

Black RAL 9005 with satin finish. Orange RAL 2004 with shiny finish. Other colours for medium quantities.

Locking elements

Galvanized steel with tothing, directly obtained.

Return spring

Burnished steel.

Stop screw

Galvanized steel. **It can be used for the assembly of the lever with nut- runner.**

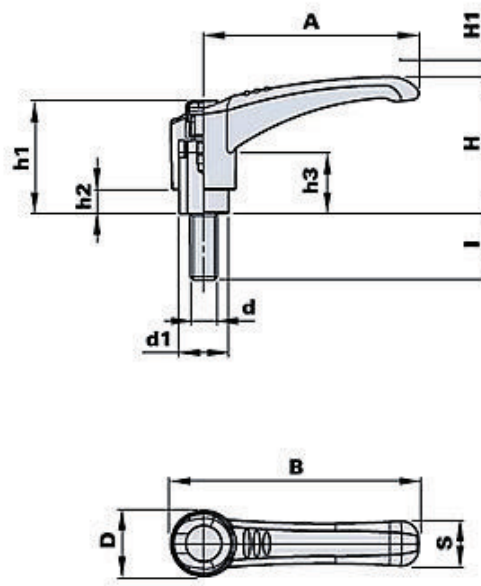
Screw cover button

In technopolymer with shiny finish. Standardcolour: orange RAL 2004 for blacklever and black RAL 7021 for orange lever. Other available colours: yellow RAL 1021, red RAL 3020, green RAL6018, blue RAL 5015.

Customisation of the button with client's logo for suitable quantities.

Package

10 - 50 - 100 pcs.



How to order:

Example: handle code 01NH45B15 with yellow cap = code 01NH45B15-G

Black button: Cod. + N	Yellow button: Cod. + G	Red button: Cod. + R	Green button: Cod. + V	Blue button: Cod. + B	Orange button: Cod. + A
----------------------------------	-----------------------------------	--------------------------------	----------------------------------	---------------------------------	-----------------------------------

The code below shows the code product without button.

Code	Description	Dimensions										Insert		Weight grams	Stock
		A	B	D	S	H	H1	h1	h3	d1	h2	d	l		
01NH45B15...	NH- P45M5x15	45	53	16	10,5	33,5	3	28,5	18	12	7	M5	15	19	
01NH45B20...	NH- P45M5x20	45	53	16	10,5	33,5	3	28,5	18	12	7	M5	20	19	
01NH45B25...	NH- P45M5x25	45	53	16	10,5	33,5	3	28,5	18	12	7	M5	25	19	
01NH45B30...	NH- P45M5x30	45	53	16	10,5	33,5	3	28,5	18	12	7	M5	30	20	
01NH45C15...	NH- P45M6x15	45	53	16	10,5	33,5	3	28,5	18	12	7	M6	15	19	
01NH45C20...	NH- P45M6x20	45	53	16	10,5	33,5	3	28,5	18	12	7	M6	20	20	
01NH45C25...	NH- P45M6x25	45	53	16	10,5	33,5	3	28,5	18	12	7	M6	25	23	
01NH45C30...	NH- P45M6x30	45	53	16	10,5	33,5	3	28,5	18	12	7	M6	30	24	
01NH45C40...	NH- P45M6x40	45	53	16	10,5	33,5	3	28,5	18	12	7	M6	40	23	
01NH45D12...	NH- P45M8x12	45	53	16	10,5	33,5	3	28,5	18	12	7	M8	12	20	
01NH45D15...	NH- P45M8x15	45	53	16	10,5	33,5	3	28,5	18	12	7	M8	15	20	
01NH45D20...	NH- P45M8x20	45	53	16	10,5	33,5	3	28,5	18	12	7	M8	20	23	
01NH45D45...	NH- P45M8x45	45	53	16	10,5	33,5	3	28,5	18	12	7	M8	45	43	
01NH65C15...	NH- P65M6x15	65	75	20	13,5	41	3,5	34	19	15	7,5	M6	15	29	
01NH65C20...	NH- P65M6x20	65	75	20	13,5	41	3,5	34	19	15	7,5	M6	20	30	
01NH65C25...	NH- P65M6x25	65	75	20	13,5	41	3,5	34	19	15	7,5	M6	25	30	
01NH65C30...	NH- P65M6x30	65	75	20	13,5	41	3,5	34	19	15	7,5	M6	30	31	
01NH65C40...	NH- P65M6x40	65	75	20	13,5	41	3,5	34	19	15	7,5	M6	40	33	
01NH65C50...	NH- P65M6x50	65	75	20	13,5	41	3,5	34	19	15	7,5	M6	50	35	
01NH65D15...	NH- P65M8x15	65	75	20	13,5	41	3,5	34	19	15	7,5	M8	15	33	
01NH65D20...	NH- P65M8x20	65	75	20	13,5	41	3,5	34	19	15	7,5	M8	20	35	
01NH65D25...	NH- P65M8x25	65	75	20	13,5	41	3,5	34	19	15	7,5	M8	25	37	

01NH65D30...	NH- P65M8x30	65	75	20	13,5	41	3,5	34	19	15	7,5	M8	30	38
01NH65D35...	NH- P65M8x35	65	75	20	13,5	41	3,5	34	19	15	7,5	M8	35	41
01NH65D40...	NH- P65M8x40	65	75	20	13,5	41	3,5	34	19	15	7,5	M8	40	44
01NH65D45...	NH- P65M8x45	65	75	20	13,5	41	3,5	34	19	15	7,5	M8	45	44
01NH65D50...	NH- P65M8x50	65	75	20	13,5	41	3,5	34	19	15	7,5	M8	50	45
01NH65D55...	NH- P65M8x55	65	75	20	13,5	41	3,5	34	19	15	7,5	M8	55	47
01NH65D60...	NH- P65M8x60	65	75	20	13,5	41	3,5	34	19	15	7,5	M8	60	49
01NH80D20...	NH- P80M8x20	80	92	24	16,5	53	4,5	44	26	20	12	M8	20	72
01NH80D25...	NH- P80M8x25	80	92	24	16,5	53	4,5	44	26	20	12	M8	25	74
01NH80D30...	NH- P80M8x30	80	92	24	16,5	53	4,5	44	26	20	12	M8	30	61
01NH80D35...	NH- P80M8x35	80	92	24	16,5	53	4,5	44	26	20	12	M8	35	76
01NH80D40...	NH- P80M8x40	80	92	24	16,5	53	4,5	44	26	20	12	M8	40	78
01NH80D45...	NH- P80M8x45	80	92	24	16,5	53	4,5	44	26	20	12	M8	45	80
01NH80D50...	NH- P80M8x50	80	92	24	16,5	53	4,5	44	26	20	12	M8	50	81
01NH80D55...	NH- P80M8x55	80	92	24	16,5	53	4,5	44	26	20	12	M8	55	83
01NH80D60...	NH- P80M8x60	80	92	24	16,5	53	4,5	44	26	20	12	M8	60	87
01NH80D70...	NH- P80M8x70	80	92	24	16,5	53	4,5	44	26	20	12	M8	70	90
01NH80E20...	NH- P80M10x20	80	92	24	16,5	53	4,5	44	26	20	12	M10	20	74
01NH80E25...	NH- P80M10x25	80	92	24	16,5	53	4,5	44	26	20	12	M10	25	77
01NH80E30...	NH- P80M10x30	80	92	24	16,5	53	4,5	44	26	20	12	M10	30	80
01NH80E35...	NH- P80M10x35	80	92	24	16,5	53	4,5	44	26	20	12	M10	35	83
01NH80E40...	NH- P80M10x40	80	92	24	16,5	53	4,5	44	26	20	12	M10	40	85
01NH80E45...	NH- P80M10x45	80	92	24	16,5	53	4,5	44	26	20	12	M10	45	88
01NH80E50...	NH- P80M10x50	80	92	24	16,5	53	4,5	44	26	20	12	M10	50	89
01NH80E55...	NH- P80M10x55	80	92	24	16,5	53	4,5	44	26	20	12	M10	55	92
01NH80E60...	NH- P80M10x60	80	92	24	16,5	53	4,5	44	26	20	12	M10	60	94
01NH80E70...	NH- P80M10x70	80	92	24	16,5	53	4,5	44	26	20	12	M10	70	99
01NH80F20...	NH- P80M12x20	80	92	24	16,5	53	4,5	44	26	20	12	M12	20	88
01NH80F25...	NH- P80M12x25	80	92	24	16,5	53	4,5	44	26	20	12	M12	25	91
01NH80F30...	NH- P80M12x30	80	92	24	16,5	53	4,5	44	26	20	12	M12	30	94
01NH80F35...	NH- P80M12x35	80	92	24	16,5	53	4,5	44	26	20	12	M12	35	99
01NH80F40...	NH- P80M12x40	80	92	24	16,5	53	4,5	44	26	20	12	M12	40	101
01NH80F50...	NH- P80M12x50	80	92	24	16,5	53	4,5	44	26	20	12	M12	50	108
01NH80F55...	NH- P80M12x55	80	92	24	16,5	53	4,5	44	26	20	12	M12	55	111
01NH80F60...	NH- P80M12x60	80	92	24	16,5	53	4,5	44	26	20	12	M12	60	114
01NH95F30...	NH- P95M12x30	95	108	27	19	61	5	50	30	21	13	M12	30	126
01NH95F40...	NH- P95M12x40	95	108	27	19	61	5	50	30	21	13	M12	40	133
01NH95F50...	NH- P95M12x50	95	108	27	19	61	5	50	30	21	13	M12	50	139
01NH95F60...	NH- P95M12x60	95	108	27	19	61	5	50	30	21	13	M12	60	146
01NH95F70...	NH- P95M12x70	95	108	27	19	61	5	50	30	21	13	M12	70	154
01NH95N30...	NH- P95M14x30	95	108	27	19	61	5	50	30	21	13	M14	30	138
01NH95N40...	NH- P95M14x40	95	108	27	19	61	5	50	30	21	13	M14	40	150
01NH95N50...	NH- P95M14x50	95	108	27	19	61	5	50	30	21	13	M14	50	166
01NH95N60...	NH- P95M14x60	95	108	27	19	61	5	50	30	21	13	M14	60	172
01NH95N70...	NH- P95M14x70	95	108	27	19	61	5	50	30	21	13	M14	70	184
01NH95P30...	NH- P95M16x30	95	108	27	19	61	5	50	30	21	13	M16	30	163
01NH95P40...	NH- P95M16x40	95	108	27	19	61	5	50	30	21	13	M16	40	183
01NH95P50...	NH- P95M16x50	95	108	27	19	61	5	50	30	21	13	M16	50	193
01NH95P60...	NH- P95M16x60	95	108	27	19	61	5	50	30	21	13	M16	60	220
01NH95P70...	NH- P95M16x70	95	108	27	19	61	5	50	30	21	13	M16	70	218

Clamping element and lever material



Thenar Srl - Via della Costituzione, 66 - 42015 Correggio (RE) Italy

Tel. +39 0522 740511 - Fax +39 0522 740555 - info@thenar.it - www.thenar.it

THENAR models are reserved property under the law - Non- reproducible drawings unless the source is cited.

Glass- fiber reinforced polyamide- based (PA) technopolymer. Resistant to organic and inorganic chemical substances such as oils, greases, fuels and solvents.

Clamping lever colour

Black. Satin finish.

Other colours for suitable quantities.

Clamping lever colour:

Black.

Stud bolt

Galvanized steel. Special inserts on design and/ or in brass, on request for suitable quantities.

Return spring

Burnished steel.

Stop screw

Black galvanized steel. **It can be used for the assembly of the lever with nut- runner.**

Screw cover button

In technopolymer with shiny finish. Standard colour: orange RAL 2004.

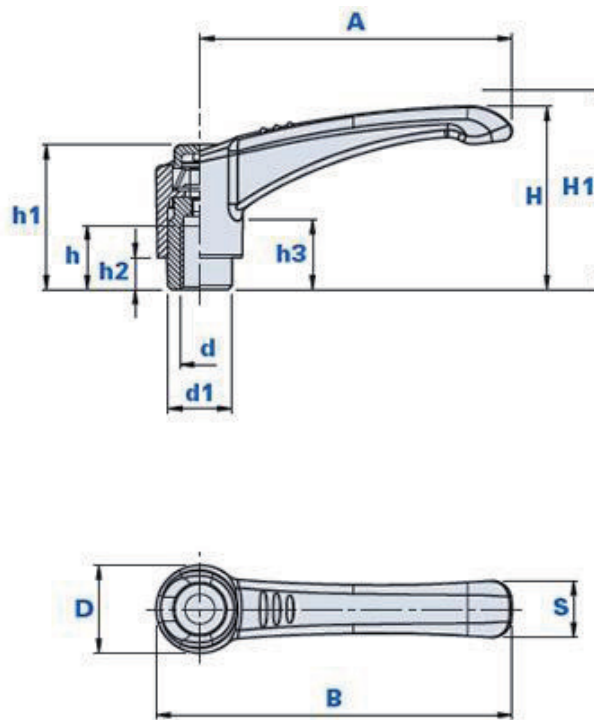
Other available colours: black RAL 7021, yellow RAL 1021, red RAL 3020, green RAL 6018, blue RAL 5015.

Customisation of the button with client's logo for suitable quantities.

Package

10 - 50 - 100 pcs.

Adjustable clamping lever with threaded bush



How to order:

Example: handle code 01NH45A with yellow cap = code 01NH45A-G

Black button:	Yellow button:	Red button:	Green button:	Blue button:	Orange button:
Cod. + N	Cod. + G	Cod. + R	Cod. + V	Cod. + B	Cod. + A

The code below shows the code product without button.

Code	Description	Dimensions										Insert		Weight grams	Stock
		A	B	D	S	H	H1	h1	h3	d1	h2	d	h		
01NH45B...	NH- B45M5	45	53	16	10,5	33,5	3	28,5	18	12	7	M5	12	22	
01NH45C...	NH- B45M6	45	53	16	10,5	33,5	3	28,5	18	12	7	M6	14	24	
01NH65C...	NH- B65M6	65	75	20	13,5	41	3,5	34	19	15	7,5	M8	14	26	
01NH65D...	NH- B65M8	65	75	20	13,5	41	3,5	34	19	15	7,5	M8	14	24	
01NH80D...	NH- B80M8	80	92	24	16,5	53	4,5	44	26	20	12	M8	20	55	
01NH80E...	NH- B80M10	80	92	24	16,5	53	4,5	44	26	20	12	M10	20	56	
01NH80F...	NH- B80M12	80	92	24	16,5	53	4,5	44	26	20	12	M12	20	57	
01NH95F...	NH- B95M12	95	108	27	19	61	5	50	30	22	13	M12	22	83	
01NH95N...	NH- B95M14	95	108	27	19	61	5	50	30	22	13	M14	22	94	
01NH95P...	NH- B95M16	95	108	27	19	61	5	50	30	22	13	M16	22	89	

Clamping element and lever colour

Glass- fiber reinforced polyamide- based (PA) technopolymer. Resistant to organic and inorganic chemical substances such as oils, greases fuels and solvents.

Clamping lever colour

Black. Satin finish.

Other colours for suitable quantities.

Clamping element colour:

Black.

Stud bolt

Galvanized steel. Special inserts on design for suitable quantities.

Return spring

Burnished steel.

Stop screw

Black galvanized steel. **It can be used for the assembly of the lever with nut- runner.**

Screw cover button

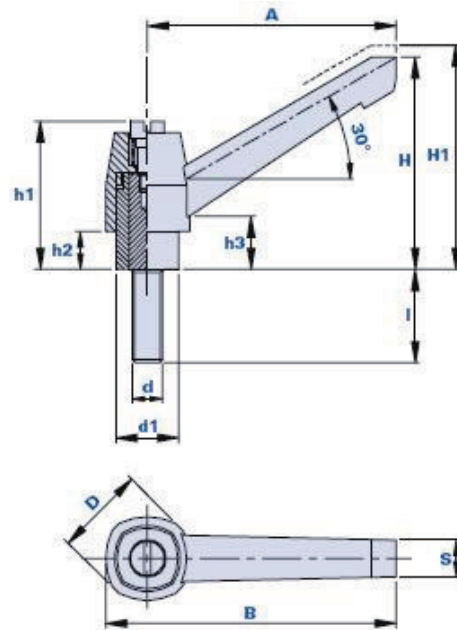
In technopolymer with shiny finish. Standard colour: orange RAL 2004.

Other available colours: black RAL 7021, yellow RAL 1021, red RAL 3020, green RAL 6018, blue RAL 5015.

Customisation of the button with client's logo for suitable quantities.

Package

10 - 50 - 100 pcs.



Code	Description	Dimensions										Insert		Weight grams	Stock
		A	B	D	S	H	H1	h1	h3	d1	h2	d	l		
0140B15	KP- P 40 M5x15	40	48.3	18.6	8.5	39	42.5	31.5	13	12	7	M5	15	19	
0140B20	KP- P 40 M5x20	40	48.3	18.6	8.5	39	42.5	31.5	13	12	7	M5	20	19	
0140B25	KP- P 40 M5x25	40	48.3	18.6	8.5	39	42.5	31.5	13	12	7	M5	25	19	
0140B30	KP- P 40 M5x30	40	48.3	18.6	8.5	39	42.5	31.5	13	12	7	M5	30	20	
0140C15	KP- P 40 M6x15	40	48.3	18.6	8.5	39	42.5	31.5	13	12	7	M6	15	19	
0140C20	KP- P 40 M6x20	40	48.3	18.6	8.5	39	42.5	31.5	13	12	7	M6	20	20	
0140C25	KP- P 40 M6x25	40	48.3	18.6	8.5	39	42.5	31.5	13	12	7	M6	25	23	
0140C30	KP- P 40 M6x30	40	48.3	18.6	8.5	39	42.5	31.5	13	12	7	M6	30	24	
0140C40	KP- P 40 M6x40	40	48.3	18.6	8.5	39	42.5	31.5	13	12	7	M6	40	23	
0140D12	KP- P 40 M8x12	40	48.3	18.6	8.5	39	42.5	31.5	13	12	7	M8	12	20	
0140D15	KP- P 40 M8x15	40	48.3	18.6	8.5	39	42.5	31.5	13	12	7	M8	15	20	
0140D20	KP- P 40 M8x20	40	48.3	18.6	8.5	39	42.5	31.5	13	12	7	M8	20	23	
0140D45	KP- P 40 M8x45	40	48.3	18.6	8.5	39	42.5	31.5	13	12	7	M8	45	43	
0155C15	KP- P 55 M6x15	55	65	22	9	49	53	37	14.5	15	10	M6	15	29	
0155C20	KP- P 55 M6x20	55	65	22	9	49	53	37	14.5	15	10	M6	20	30	
0155C25	KP- P 55 M6x25	55	65	22	9	49	53	37	14.5	15	10	M6	25	30	
0155C30	KP- P 55 M6x30	55	65	22	9	49	53	37	14.5	15	10	M6	30	31	
0155C40	KP- P 55 M6x40	55	65	22	9	49	53	37	14.5	15	10	M6	40	33	
0155C50	KP- P 55 M6x50	55	65	22	9	49	53	37	14.5	15	10	M6	50	35	
0155D15	KP- P 55 M8x15	55	65	22	9	49	53	37	14.5	15	10	M8	15	33	
0155D20	KP- P 55 M8x20	55	65	22	9	49	53	37	14.5	15	10	M8	20	35	
0155D25	KP- P 55 M8x25	55	65	22	9	49	53	37	14.5	15	10	M8	25	37	
0155D30	KP- P 55 M8x30	55	65	22	9	49	53	37	14.5	15	10	M8	30	38	
0155D35	KP- P 55 M8x35	55	65	22	9	49	53	37	14.5	15	10	M8	35	41	
0155D40	KP- P 55 M8x40	55	65	22	9	49	53	37	14.5	15	10	M8	40	44	
0155D45	KP- P 55 M8x45	55	65	22	9	49	53	37	14.5	15	10	M8	45	44	
0155D50	KP- P 55 M8x50	55	65	22	9	49	53	37	14.5	15	10	M8	50	45	
0155D55	KP- P 55 M8x55	55	65	22	9	49	53	37	14.5	15	10	M8	55	47	

0155D60	KP- P 55 M8x60	55	65	22	9	49	53	37	14.5	15	10	M8	60	49	
0179D20	KP- P 79 M8x20	80	93.5	29	11.5	68	72.5	48	18	20	12	M8	20	72	
0179D25	KP- P 79 M8x25	80	93.5	29	11.5	68	72.5	48	18	20	12	M8	25	74	
0179D30	KP- P 79 M8x30	80	93.5	29	11.5	68	72.5	48	18	20	12	M8	30	61	
0179D35	KP- P 79 M8x35	80	93.5	29	11.5	68	72.5	48	18	20	12	M8	35	76	
0179D40	KP- P 79 M8x40	80	93.5	29	11.5	68	72.5	48	18	20	12	M8	40	78	
0179D45	KP- P 79 M8x45	80	93.5	29	11.5	68	72.5	48	18	20	12	M8	45	80	
0179D50	KP- P 79 M8x50	80	93.5	29	11.5	68	72.5	48	18	20	12	M8	50	81	
0179D55	KP- P 79 M8x55	80	93.5	29	11.5	68	72.5	48	18	20	12	M8	55	83	
0179D60	KP- P 79 M8x60	80	93.5	29	11.5	68	72.5	48	18	20	12	M8	60	87	
0179D70	KP- P 79 M8x70	80	93.5	29	11.5	68	72.5	48	18	20	12	M8	70	87	
0179E20	KP- P 79 M10x20	80	93.5	29	11.5	68	72.5	48	18	20	12	M10	20	74	
0179E25	KP- P 79 M10x25	80	93.5	29	11.5	68	72.5	48	18	20	12	M10	25	77	
0179E30	KP- P 79 M10x30	80	93.5	29	11.5	68	72.5	48	18	20	12	M10	30	80	
0179E35	KP- P 79 M10x35	80	93.5	29	11.5	68	72.5	48	18	20	12	M10	35	83	
0179E40	KP- P 79 M10x40	80	93.5	29	11.5	68	72.5	48	18	20	12	M10	40	85	
0179E45	KP- P 79 M10x45	80	93.5	29	11.5	68	72.5	48	18	20	12	M10	45	88	-
0179E50	KP- P 79 M10x50	80	93.5	29	11.5	68	72.5	48	18	20	12	M10	50	89	
0179E55	KP- P 79 M10x55	80	93.5	29	11.5	68	72.5	48	18	20	12	M10	55	92	
0179E60	KP- P 79 M10x60	80	93.5	29	11.5	68	72.5	48	18	20	12	M10	60	94	
0179E70	KP- P 79 M10x70	80	93.5	29	11.5	68	72.5	48	18	20	12	M10	70	99	
0179F20	KP- P 79 M12x20	80	93.5	29	11.5	68	72.5	48	18	20	12	M12	20	88	
0179F25	KP- P 79 M12x25	80	93.5	29	11.5	68	72.5	48	18	20	12	M12	25	91	
0179F30	KP- P 79 M12x30	80	93.5	29	11.5	68	72.5	48	18	20	12	M12	30	94	
0179F35	KP- P 79 M12x35	80	93.5	29	11.5	68	72.5	48	18	20	12	M12	35	99	
0179F40	KP- P 79 M12x40	80	93.5	29	11.5	68	72.5	48	18	20	12	M12	40	101	
0179F50	KP- P 79 M12x50	80	93.5	29	11.5	68	72.5	48	18	20	12	M12	50	108	
0179F55	KP- P 79 M12x55	80	93.5	29	11.5	68	72.5	48	18	20	12	M12	55	111	
0179F60	KP- P 79 M12x60	80	93.5	29	11.5	68	72.5	48	18	20	12	M12	60	114	
01100F30	KP- P 100 M12x30	102	119	38	17	85	89.5	60	22	25	12	M12	30	156	
01100F40	KP- P 100 M12x40	102	119	38	17	85	89.5	60	22	25	12	M12	40	156	
01100F50	KP- P 100 M12x50	102	119	38	17	85	89.5	60	22	25	12	M12	50	169	
01100F60	KP- P 100 M12x60	102	119	38	17	85	89.5	60	22	25	12	M12	60	176	
01100F70	KP- P 100 M12x70	102	119	38	17	85	89.5	60	22	25	12	M12	70	184	
01100N30	KP- P 100 M14x30	102	119	38	17	85	89.5	60	22	25	12	M14	30	168	
01100N40	KP- P 100 M14x40	102	119	38	17	85	89.5	60	22	25	12	M14	40	180	
01100N50	KP- P 100 M14x50	102	119	38	17	85	89.5	60	22	25	12	M14	50	196	
01100N60	KP- P 100 M14x60	102	119	38	17	85	89.5	60	22	25	12	M14	60	202	
01100N70	KP- P 100 M14x70	102	119	38	17	85	89.5	60	22	25	12	M14	70	214	
01100P30	KP- P 100 M16x30	102	119	38	17	85	89.5	60	22	25	12	M16	30	193	
01100P40	KP- P 100 M16x40	102	119	38	17	85	89.5	60	22	25	12	M16	40	213	
01100P50	KP- P 100 M16x50	102	119	38	17	85	89.5	60	22	25	12	M16	50	223	
01100P60	KP- P 100 M16x60	102	119	38	17	85	89.5	60	22	25	12	M16	60	250	
01100P70	KP- P 100 M16x70	102	119	38	17	85	89.5	60	22	25	12	M16	70	248	
0140B15A	KP- P 40 M5x15 Orange	40	48.3	18.6	8.5	39	42.5	31.5	13	12	7	M5	15	19	-
0140B20A	KP- P 40 M5x20 Orange	40	48.3	18.6	8.5	39	42.5	31.5	13	12	7	M5	20	19	-
0140B25A	KP- P 40 M5x25 Orange	40	48.3	18.6	8.5	39	42.5	31.5	13	12	7	M5	25	19	-
0140B30A	KP- P 40 M5x30 Orange	40	48.3	18.6	8.5	39	42.5	31.5	13	12	7	M5	30	20	-
0140C15A	KP- P 40 M6x15 Orange	40	48.3	18.6	8.5	39	42.5	31.5	13	12	7	M6	15	19	-
0140C20A	KP- P 40 M6x20 Orange	40	48.3	18.6	8.5	39	42.5	31.5	13	12	7	M6	20	20	-
0140C25A	KP- P 40 M6x25 Orange	40	48.3	18.6	8.5	39	42.5	31.5	13	12	7	M6	25	23	-
0140C30A	KP- P 40 M6x30 Orange	40	48.3	18.6	8.5	39	42.5	31.5	13	12	7	M6	30	24	-
0140C40A	KP- P 40 M6x40 Orange	40	48.3	18.6	8.5	39	42.5	31.5	13	12	7	M6	40	23	-

0140D12A	KP- P 40 M8x12 Orange	40	48.3	18.6	8.5	39	42.5	31.5	13	12	7	M8	12	20	-
0140D15A	KP- P 40 M8x15 Orange	40	48.3	18.6	8.5	39	42.5	31.5	13	12	7	M8	15	20	-
0140D20A	KP- P 40 M8x20 Orange	40	48.3	18.6	8.5	39	42.5	31.5	13	12	7	M8	20	23	-
0140D45A	KP- P 40 M8x45 Orange	40	48.3	18.6	8.5	39	42.5	31.5	13	12	7	M8	45	43	-
0155C15A	KP- P 55 M6x15 Orange	55	65	22	9	49	53	37	14.5	15	10	M6	15	29	-
0155C20A	KP- P 55 M6x20 Orange	55	65	22	9	49	53	37	14.5	15	10	M6	20	30	-
0155C25A	KP- P 55 M6x25 Orange	55	65	22	9	49	53	37	14.5	15	10	M6	25	30	-
0155C30A	KP- P 55 M6x30 Orange	55	65	22	9	49	53	37	14.5	15	10	M6	30	31	-
0155C40A	KP- P 55 M6x40 Orange	55	65	22	9	49	53	37	14.5	15	10	M6	40	33	-
0155C50A	KP- P 55 M6x50 Orange	55	65	22	9	49	53	37	14.5	15	10	M6	50	35	-
0155D15A	KP- P 55 M8x15 Orange	55	65	22	9	49	53	37	14.5	15	10	M8	15	33	-
0155D20A	KP- P 55 M8x20 Orange	55	65	22	9	49	53	37	14.5	15	10	M8	20	35	-
0155D25A	KP- P 55 M8x25 Orange	55	65	22	9	49	53	37	14.5	15	10	M8	25	37	-
0155D30A	KP- P 55 M8x30 Orange	55	65	22	9	49	53	37	14.5	15	10	M8	30	38	-
0155D35A	KP- P 55 M8x35 Orange	55	65	22	9	49	53	37	14.5	15	10	M8	35	41	-
0155D40A	KP- P 55 M8x40 Orange	55	65	22	9	49	53	37	14.5	15	10	M8	40	44	-
0155D45A	KP- P 55 M8x45 Orange	55	65	22	9	49	53	37	14.5	15	10	M8	45	44	-
0155D50A	KP- P 55 M8x50 Orange	55	65	22	9	49	53	37	14.5	15	10	M8	50	45	-
0155D55A	KP- P 55 M8x55 Orange	55	65	22	9	49	53	37	14.5	15	10	M8	55	47	-
0155D60A	KP- P 55 M8x60 Orange	55	65	22	9	49	53	37	14.5	15	10	M8	60	49	-
0179D20A	KP- P 79 M8x20 Orange	80	93.5	29	11.5	68	72.5	48	18	20	12	M8	20	72	-
0179D25A	KP- P 79 M8x25 Orange	80	93.5	29	11.5	68	72.5	48	18	20	12	M8	25	74	-
0179D30A	KP- P 79 M8x30 Orange	80	93.5	29	11.5	68	72.5	48	18	20	12	M8	30	61	-
0179D35A	KP- P 79 M8x35 Orange	80	93.5	29	11.5	68	72.5	48	18	20	12	M8	35	76	-
0179D40A	KP- P 79 M8x40 Orange	80	93.5	29	11.5	68	72.5	48	18	20	12	M8	40	78	-
0179D45A	KP- P 79 M8x45 Orange	80	93.5	29	11.5	68	72.5	48	18	20	12	M8	45	80	-
0179D50A	KP- P 79 M8x50 Orange	80	93.5	29	11.5	68	72.5	48	18	20	12	M8	50	81	-
0179D55A	KP- P 79 M8x55 Orange	80	93.5	29	11.5	68	72.5	48	18	20	12	M8	55	83	-
0179D60A	KP- P 79 M8x60 Orange	80	93.5	29	11.5	68	72.5	48	18	20	12	M8	60	87	-
0179D70A	KP- P 79 M8x70 Orange	80	93.5	29	11.5	68	72.5	48	18	20	12	M8	70	87	-
0179E20A	KP- P 79 M10x20 Orange	80	93.5	29	11.5	68	72.5	48	18	20	12	M10	20	74	-
0179E25A	KP- P 79 M10x25 Orange	80	93.5	29	11.5	68	72.5	48	18	20	12	M10	25	77	-
0179E30A	KP- P 79 M10x30 Orange	80	93.5	29	11.5	68	72.5	48	18	20	12	M10	30	80	-
0179E35A	KP- P 79 M10x35 Orange	80	93.5	29	11.5	68	72.5	48	18	20	12	M10	35	83	-
0179E40A	KP- P 79 M10x40 Orange	80	93.5	29	11.5	68	72.5	48	18	20	12	M10	40	85	-
0179E45A	KP- P 79 M10x45 Orange	80	93.5	29	11.5	68	72.5	48	18	20	12	M10	45	88	-
0179E50A	KP- P 79 M10x50 Orange	80	93.5	29	11.5	68	72.5	48	18	20	12	M10	50	89	-
0179E55A	KP- P 79 M10x55 Orange	80	93.5	29	11.5	68	72.5	48	18	20	12	M10	55	92	-
0179E60A	KP- P 79 M10x60 Orange	80	93.5	29	11.5	68	72.5	48	18	20	12	M10	60	94	-
0179E70A	KP- P 79 M10x70 Orange	80	93.5	29	11.5	68	72.5	48	18	20	12	M10	70	99	-
0179F20A	KP- P 79 M12x20 Orange	80	93.5	29	11.5	68	72.5	48	18	20	12	M12	20	88	-
0179F25A	KP- P 79 M12x25 Orange	80	93.5	29	11.5	68	72.5	48	18	20	12	M12	25	91	-
0179F30A	KP- P 79 M12x30 Orange	80	93.5	29	11.5	68	72.5	48	18	20	12	M12	30	94	-
0179F35A	KP- P 79 M12x35 Orange	80	93.5	29	11.5	68	72.5	48	18	20	12	M12	35	99	-
0179F40A	KP- P 79 M12x40 Orange	80	93.5	29	11.5	68	72.5	48	18	20	12	M12	40	101	-
0179F50A	KP- P 79 M12x50 Orange	80	93.5	29	11.5	68	72.5	48	18	20	12	M12	50	108	-
0179F55A	KP- P 79 M12x55 Orange	80	93.5	29	11.5	68	72.5	48	18	20	12	M12	55	111	-
0179F60A	KP- P 79 M12x60 Orange	80	93.5	29	11.5	68	72.5	48	18	20	12	M12	60	114	-

Clamping element and lever material

Glass- fiber reinforced polyamide- based (PA) technopolymer. Resistant to organic and inorganic chemical substances such as oils, greases, fuels and solvents.

Clamping lever colour



Thenar Srl - Via della Costituzione, 66 - 42015 Correggio (RE) Italy

Tel. +39 0522 740511 - Fax +39 0522 740555 - info@thenar.it - www.thenar.it

THENAR models are reserved property under the law - Non- reproducible drawings unless the source is cited.

Black, orange. Satin finish.
Other colours for suitable quantities.

Clamping lever colour

Black.

Stud bolt

Galvanized steel. Special inserts on design and/ or in brass, on request.

Return spring

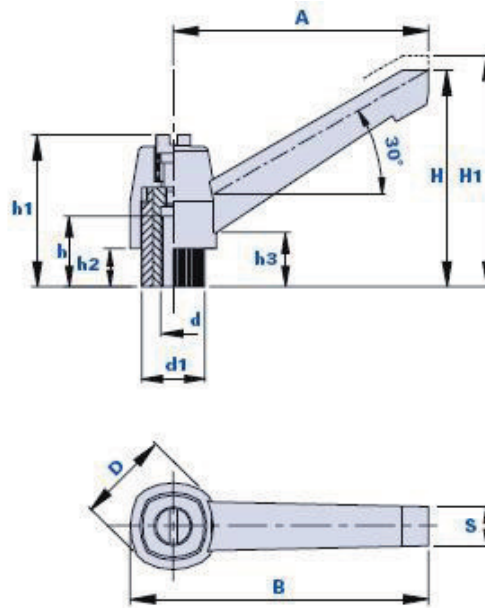
Burnished steel.

Stop screw

Burnished steel **used for mounting the lever with screwdriver.**

Package

10 - 50 - 100 pcs.



Code	Description	Dimensions										Insert		Weight grams	Stock
		A	B	D	S	H	H1	h1	h3	d1	h2	d	h		
0140B	KP- B 40 M5	40	48.3	18.6	8.5	39	42.5	31.5	13	12	7	M5	12	22	
0140C	KP- B 40 M6	40	48.3	18.6	8.5	39	42.5	31.5	13	12	7	M6	14	14	
0155C	KP- B 55 M6	55	65	22	9	49	53	37	14.5	15	10	M6	14	26	
0155D	KP- B 55 M8	55	65	22	9	49	53	37	14.5	15	10	M8	14	24	
0179D	KP- B 79 M8	80	93.5	29	11.5	68	72.5	48	18	20	12	M8	20	56	
0179E	KP- B 79 M10	80	93.5	29	11.5	68	72.5	48	18	20	12	M10	20	55	
0179F	KP- B 79 M12	80	93.5	29	11.5	68	72.5	48	18	20	12	M12	20	57	
01100F	KP- B 100 M12	102	119	38	17	85	89.5	60	22	25	12	M12	27	113	
01100N	KP- B 100 M14	102	119	38	17	85	89.5	60	22	25	12	M14	27	124	
01100P	KP- B 100 M16	102	119	38	17	85	89.5	60	22	25	12	M16	27	119	
0140BA	KP- B 40 M5 Orange	40	48.3	18.6	8.5	39	42.5	31.5	13	12	7	M5	12	22	-
0140CA	KP- B 40 M6 Orange	40	48.3	18.6	8.5	39	42.5	31.5	13	12	7	M6	14	14	
0155CA	KP- B 55 M6 Orange	55	65	22	9	49	53	37	14.5	15	10	M6	14	26	
0155DA	KP- B 55 M8 Orange	55	65	22	9	49	53	37	14.5	15	10	M8	14	24	
0179DA	KP- B 79 M8 Orange	80	93.5	29	11.5	68	72.5	48	18	20	12	M8	20	56	
0179EA	KP- B 79 M10 Orange	80	93.5	29	11.5	68	72.5	48	18	20	12	M10	20	55	
0179FA	KP- B 79 M12 Orange	80	93.5	29	11.5	68	72.5	48	18	20	12	M12	27	57	

Clamping element and lever material

Glass- fiber reinforced polyamide- based (PA) technopolymer. Resistant to organic and inorganic chemical substances such as oils, greases, fuels and solvents.

Clamping lever colour

Black, orange. Satin finish.

Other colours for suitable quantities.

Clamping lever colour

Black.

Stud bolt

Galvanized steel. Special inserts on design and/ or in brass/ stainless steel, on request for suitable quantities.

Return spring

Burnished steel.

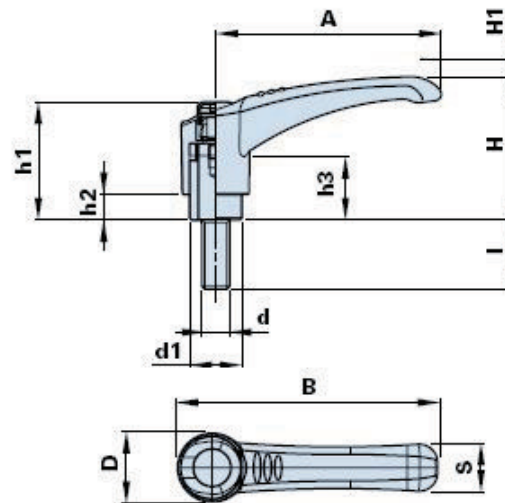
Stop screw

Galvanized steel. It can be used for the assembly of the lever with nut- runner.

Package

10 - 50 - 100 pcs.

Adjustable clamping lever with stainless steel threaded pin



How to order:

Example: handle code 01NH45C15X with yellow cap = code 01NH45C15X-G

Black button:	Yellow button:	Red button:	Green button:	Blue button:	Orange button:
Cod. + N	Cod. + G	Cod. + R	Cod. + V	Cod. + B	Cod. + A

The code below shows the code product without button.

Code	Description	Dimensions										Insert		Weight grams	Stock
		A	B	D	S	H	H1	h1	h3	d1	h2	d	l		
01NH45C15X...	NH- PX45M6x15	45	52	16	9	35	3	31,5	8	12	7	M6	15	19	
01NH45C20X...	NH- PX45M6x20	45	52	16	9	35	3	31,5	8	12	7	M6	20	20	
01NH45C25X...	NH- PX45M6x25	45	52	16	9	35	3	31,5	8	12	7	M6	25	23	
01NH65D20X...	NH- PX65M8x20	65	75	19,5	11,5	42,5	3,5	38	9,5	15	8,5	M8	20	35	
01NH65D25X...	NH- PX65M8x25	65	75	19,5	11,5	42,5	3,5	38	9,5	15	8,5	M8	25	37	
01NH65D30X...	NH- PX65M8x30	65	75	19,5	11,5	42,5	3,5	38	9,5	15	8,5	M8	30	38	
01NH65D35X...	NH- PX65M8x35	65	75	19,5	11,5	42,5	3,5	38	9,5	15	8,5	M8	35	41	
01NH65D60X...	NH- PX65M8x60	65	75	19,5	11,5	42,5	3,5	38	9,5	15	8,5	M8	60	49	
01NH80E20X...	NH- PX80M10x20	80	93	24	14	54,5	4	49	13	20	11,5	M10	20	74	
01NH80E25X...	NH- PX80M10x25	80	93	24	14	54,5	4	49	13	20	11,5	M10	25	77	
01NH80E30X...	NH- PX80M10x30	80	93	24	14	54,5	4	49	13	20	11,5	M10	30	80	
01NH80E40X...	NH- PX80M10x40	80	93	24	14	54,5	4	49	13	20	11,5	M10	40	85	
01NH80F25X...	NH- PX80M12x25	80	93	24	14	54,5	4	49	13	20	11,5	M12	25	91	
01NH80F30X...	NH- PX80M12x30	80	93	24	14	54,5	4	49	13	20	11,5	M12	30	94	
01NH80F35X...	NH- PX80M12x35	80	93	24	14	54,5	4	49	13	20	11,5	M12	35	99	

Clamping element and lever material

Glass- fiber reinforced polyamide- based (PA) technopolymer. Resistant to organic and inorganic chemical substances such as oils, greases, fuels and solvents.

Clamping lever colour

Black. Satin finish.

Other colours for suitable quantities.

Clamping lever colour:

Black.

Stud bolt

Stainless steel. Special inserts on design and/ or in brass/ stainless steel, on request for suitable quantities.

Return spring

Stainless steel.

Stop screw

Stainless steel **It can be used for the assembly of the lever with nut- runner.**

Screw cover button

In technopolymer with shiny finish. Standard colour: orange RAL 2004.

Other available colours: black RAL 7021, yellow RAL 1021, red RAL 3020, green RAL 6018, blue RAL 5015.

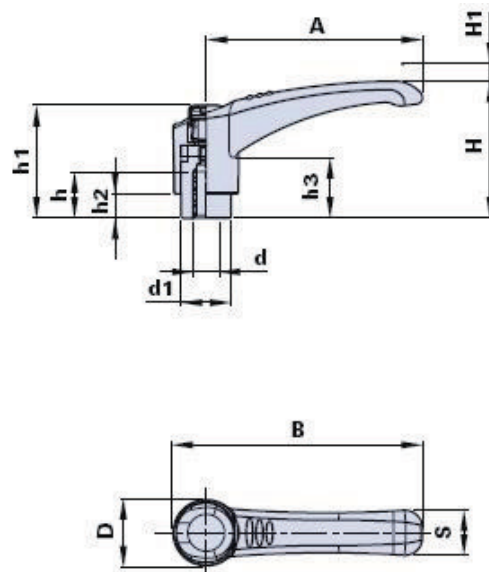
Customisation of the button with client's logo for suitable quantities.

Package

10 - 50 - 100 pcs.

NH- BN

Adjustable clamping lever with threaded bush in nickel- plated brass



How to order:

Example: handle code 01NH45A with yellow cap = code 01NH45A-G

Black button: Cod. + N	Yellow button: Cod. + G	Red button: Cod. + R	Green button: Cod. + V	Blue button: Cod. + B	Orange button: Cod. + A
----------------------------------	-----------------------------------	--------------------------------	----------------------------------	---------------------------------	-----------------------------------

The code below shows the code product without button.

Code	Description	Dimensions										Insert		Weight grams	Stock
		A	B	D	S	H	H1	h1	h3	d1	h2	d	h		
01NH45CN...	NH- BN45M6	45	52	16	9	35	3	31,5	8	12	7	M6	8	24	
01NH65DN...	NH- BN65M8	65	75	19,5	11,5	42,5	3,5	38	9,5	15	8,5	M8	11	24	
01NH80EN...	NH- BN80M10	80	93	24	14	54,5	4	49	13	20	11,5	M10	16	56	

Clamping element and lever material

Glass- fiber reinforced polyamide- based (PA) technopolymer. Resistant to organic and inorganic chemical substances such as oils, greases, fuels and solvents.

Clamping lever colour

Black. Satin finish.

Other colours for suitable quantities.

Clamping lever colour:

Black.

Bush

Nickel- plated brass. Special inserts on design on request for suitable quantities.

Return spring

Stainless steel AISI 303.

Stop screw

Stainless steel AISI 303. **It can be used for the assembly of the lever with nut- runner.**

Screw cover button



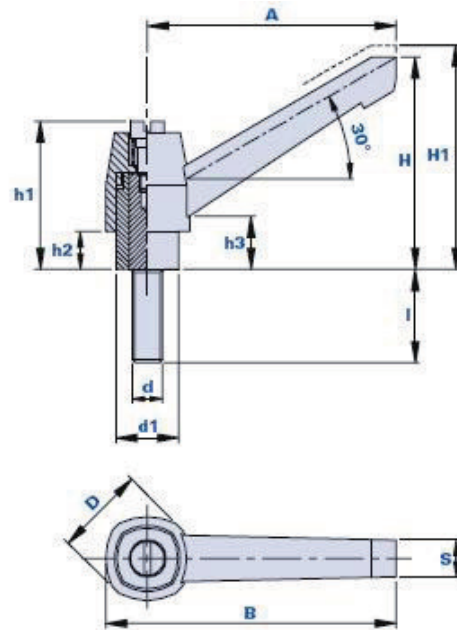
In technopolymer with shiny finish. Standard colour: orange RAL 2004.

Other available colours: black RAL 7021, yellow RAL 1021, red RAL 3020, green RAL 6018, blue RAL 5015.

Customisation of the button with client's logo for suitable quantities.

Package

10 - 50 - 100 pcs.



Code	Description	Dimensions										Insert		Weight grams	Stock
		A	B	D	S	H	H1	h1	h2	h3	d1	d	l		
0140C15X	KP- PX 40 M6x15	40	48.3	18.6	8.5	39	42.5	7	13	12	13	M6	15	19	
0140C20X	KP- PX 40 M6x20	40	48.3	18.6	8.5	39	42.5	7	13	12	13	M6	20	20	
0140C25X	KP- PX 40 M6x25	40	48.3	18.6	8.5	39	42.5	7	13	12	13	M6	25	22	
0155D15X	KP- PX 55 M8x15	55	65	22	9	49	53	10	14.5	15	14.5	M8	15	33	-
0155D20X	KP- PX 55 M8x20	55	65	22	9	49	53	10	14.5	15	14.5	M8	20	35	
0155D25X	KP- PX 55 M8x25	55	65	22	9	49	53	10	14.5	15	14.5	M8	25	37	
0155D30X	KP- PX 55 M8x30	55	65	22	9	49	53	10	14.5	15	14.5	M8	30	38	
0155D35X	KP- PX 55 M8x35	55	65	22	9	49	53	10	14.5	15	14.5	M8	35	41	-
0155D60X	KP- PX 55 M8x60	55	65	22	9	49	53	10	14.5	15	14.5	M8	60	49	
0179E20X	KP- PX 79 M10x20	80	93.5	29	11.5	68	72.5	12	18	20	18	M10	20	74	
0179E25X	KP- PX 79 M10x25	80	93.5	29	11.5	68	72.5	12	18	20	18	M10	25	77	
0179E30X	KP- PX 79 M10x30	80	93.5	29	11.5	68	72.5	12	18	20	18	M10	30	80	
0179E40X	KP- PX 79 M10x40	80	93.5	29	11.5	68	72.5	12	18	20	18	M10	40	87	
0179F25X	KP- PX 79 M12x25	80	93.5	29	11.5	68	72.5	12	18	20	18	M12	25	91	
0179F30X	KP- PX 79 M12x30	80	93.5	29	11.5	68	72.5	12	18	20	18	M12	30	94	
0179F35X	KP- PX 79 M12x35	80	93.5	29	11.5	68	72.5	12	18	20	18	M12	35	97	

Clamping element and lever material

Glass- fiber reinforced polyamide- based (PA) technopolymer. Resistant to organic and inorganic chemical substances such as oils, greases, fuels and solvents.

Clamping lever colour

Black, orange. Satin finish.

Other colours for suitable quantities.

Clamping element colour

Black.

Stud bolt

Stainless steel AISI 303. Special inserts on design.

Return spring

Stainless steel AISI 303.

Stop screw

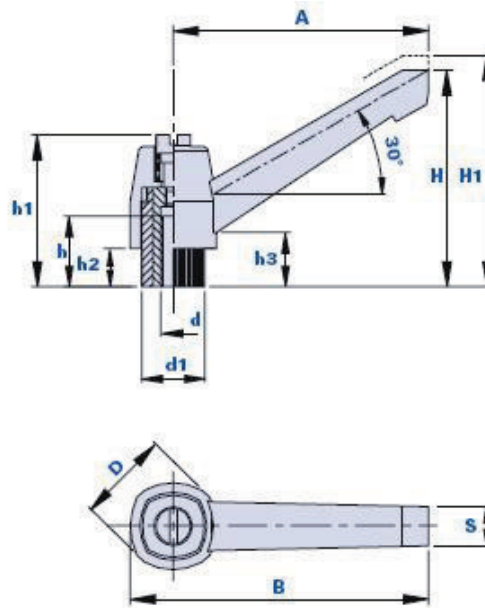
Stainless steel AISI 303.

Package

10 - 50 - 100 pcs.

KP- BN

Adjustable clamping lever with threaded bush in nickel- plated brass



Code	Description	Dimensions										Insert		Weight grams	Stock
		A	B	D	S	H	H1	h1	h3	d1	h2	d	h		
0140CN	KP- BN 40 M6	40	48.3	18.6	8.5	39	42.5	31.5	13	12	7	M6	12	19	
0155DN	KP- BN 55 M8	55	65	22	9	49	53	37	14.5	15	10	M8	14	25	
0179EN	KP- BN 79 M10	80	93.5	29	11.5	68	72.5	48	18	20	12	M10	20	56	

Clamping element and lever material

Glass- fiber reinforced polyamide- based (PA) technopolymer. Resistant to organic and inorganic chemical substances such as oils, greases, fuels and solvents.

Clamping lever colour

Black, orange. Satin finish.
Other colours for suitable quantities.

Clamping element colour

Black.

Bush

Nickel- plated brass. Special inserts on design, on request.

Return spring

Stainless steel AISI 302.

Stop screw

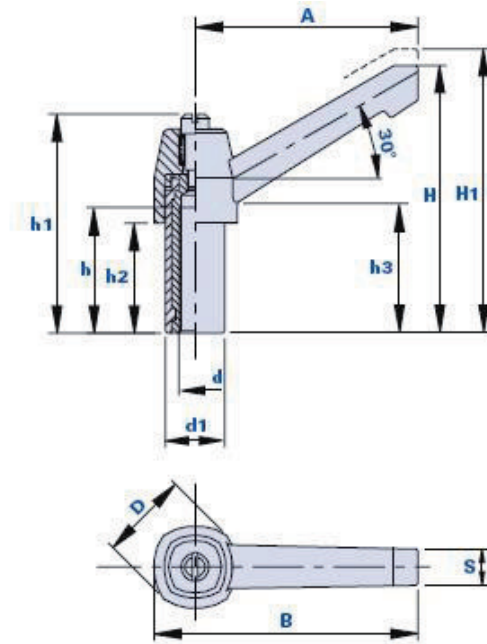
Stainless steel AISI 303.

Package

10 - 50 - 100 pcs.

KP- BA

Adjustable clamping lever with threaded bush and high hub



Code	Description	Dimensions										Insert		Weight grams	Stock
		A	B	D	S	H	H1	h1	h3	d1	h2	d	h		
0140BS	KP- BA 40 M5	40	48.3	18.6	8.5	49.5	53	42	30.5	12	17.5	M5	20	22	-
0155DS	KP- BA 55 M8	55	65	22	9	66	60	54	41.5	14.6	27	M8	31	24	

Clamping element and lever material

Glass- fiber reinforced polyamide- based (PA) technopolymer. Resistant to organic and inorganic chemical substances such as oils, greases, fuels and solvents.

Clamping lever colour

Black. Satin finish.

Other colours for suitable quantities.

Clamping element colour

Black.

Stud bolt

Galvanized steel. Special inserts on design and/ or in brass, on request for suitable quantities.

Return spring

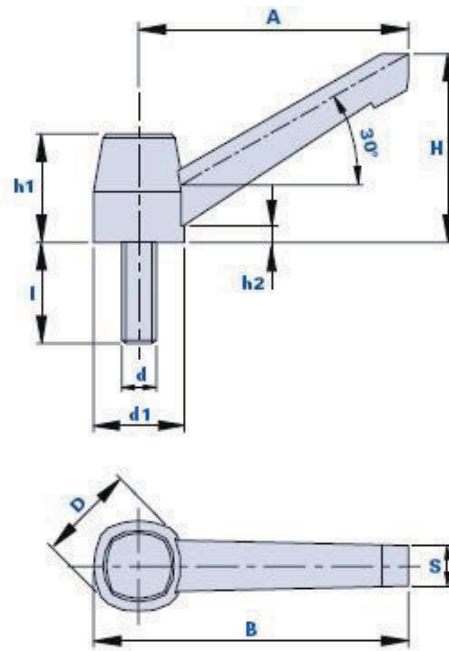
Burnished steel.

Stop screw

Galvanized steel. **It can be used for the assembly of the lever with nut- runner.**

Package

10 - 50 - 100 pcs.



Code	Description	Dimensions								Insert		Weight grams	Stock
		A	B	D	S	H	h1	h2	d1	d	h		
0140CR15	KP- FP 40 M6x15	40	48	18	8.5	32	21	6	16.5	M6	15	12	-
0155DR25	KP- FP 55 M8x25	55	65	22	9	39	23.5	5	20.5	M8	25	30	-
0155DR40	KP- FP 55 M8x40	55	65	22	9	39	23.5	5	20.5	M8	40	40	-
0179ER30	KP- FP 79 M10x30	80	93.5	29	11.5	56	32	5	27	M10	30	70	-
0179ER50	KP- FP 79 M10x50	80	93.5	29	11.5	56	32	5	27	M10	50	79	-
01100FR50	KP- FP 100 M12x50	100	119	38	17	73	44	8	33	M12	50	159	-
01100NR50	KP- FP 100 M14x50	100	119	38	17	73	44	8	33	M14	50	186	-

Material

Glass- fiber reinforced polyamide- based (PA) technopolymer. Resistant to organic and inorganic chemical substances such as oils, greases, fuels and solvents.

Colour

Black with satin finish.

Other colour for suitable quantities.

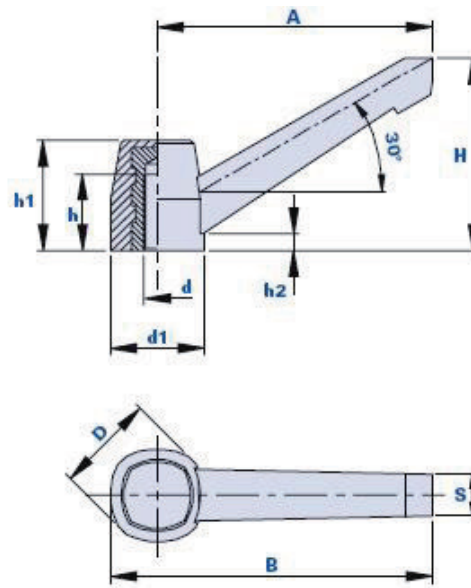
Insert

Galvanized steel. Special inserts on design and/ or in brass/ stainless steel, on request and for suitable quantities.

Package

10 - 50 - 100 pcs.

Fixed lever handle with blind threaded bush



Code	Description	Dimensions								Insert		Weight grams	Stock
		A	B	D	S	H	h1	h2	d1	d	h		
0140CR	KP- FB 40 M6	40	48	18	8.5	32	21	6	16.5	M6	11	11	
0155CR	KP- FB 55 M6	55	65	22	9	39	23.5	5	20.5	M6	16	17	
0155DR	KP- FB 55 M8	55	65	22	9	39	23.5	5	20.5	M8	16	18	
0179DR	KP- FB 79 M8	80	93.5	29	11.5	56	32	5	27	M8	22	41	
0179ER	KP- FB 79 M10	80	93.5	29	11.5	56	32	5	27	M10	22	42	
0179FR	KP- FB 79 M12	80	93.5	29	11.5	56	32	5	27	M12	22	43	
01100FR	KP- FB 100 M12	100	119	38	17	73	44	8	33	M12	28	115	
01100NR	KP- FB 100 M14	100	119	38	17	73	44	8	33	M14	28	124	-
01100PR	KP- FB 100 M16	100	119	38	17	73	44	8	33	M16	28	130	

Material

Glass- fiber reinforced polyamide- based (PA) technopolymer. Resistant to organic and inorganic chemical substances such as oils, greases, fuels and solvents.

Colour

Black with satin finish.

Other colours for suitable quantities.

Insert

Bush in brass with blind hole. Special inserts on design and/ or in stainless steel, on request and for suitable quantities.

Package

10 - 50 - 100 pcs.