

One meter chain is composed of 22 meshes

Code	Description	Dimensions						Weight grams	Stock
		A	B	C	D	P	R		
01560AR50	560 RADIUS 50	60	26	75	37	47	50	0,7	
01560AR70	560 RADIUS 70	60	26	75	37	47	70	0,7	
01560AR90	560 RADIUS 90	60	26	75	37	47	90	0,7	
01560AR110	560 RADIUS 110	60	26	75	37	47	110	0,7	
01560AR200	560 RADIUS 200	60	26	75	37	47	200	0,7	-

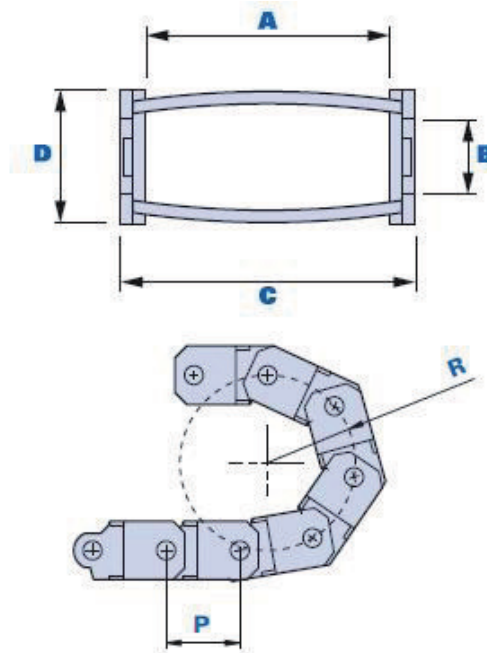
Material

Glass- fiber reinforced polyamide- based (PA) technopolymer.

Resistant to organic and inorganic chemical substances such as oils, greases, fuels and solvents.

Colour

Black with satin finish.



One meter chain is composed of 17 meshes

Code	Description	Dimensions						Weight grams	Stock
		A	B	C	D	P	R		
01565BR75	565 RADIUS 75	90	33	108	50	58	75	1,2	
01565BR110	565 RADIUS 110	90	33	108	50	58	110	1,2	
01565BR150	565 RADIUS 150	90	33	108	50	58	150	1,2	
01565BR200	565 RADIUS 200	90	33	108	50	58	200	1,2	

Material

Glass- fiber reinforced polyamide- based (PA) technopolymer.

Resistant to organic and inorganic chemical substances such as oils, greases, fuels and solvents.

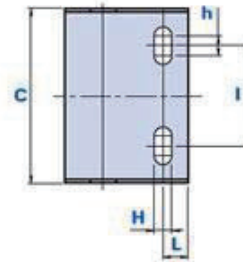
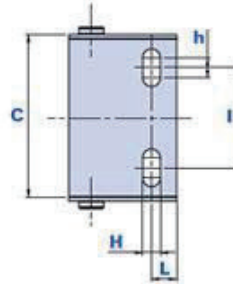
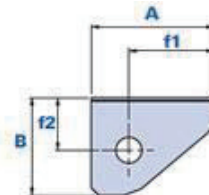
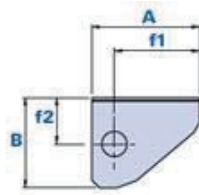
Colour

Black with satin finish.

Accessories for models 560-565



Accessories for cable- carrying chain model 560/565



**ATTACCO MASCHIO
MALE FITTING**

**ATTACCO FEMMINA
FEMALE FITTING**

Code	Description	Dimensions									Weight grams	Stock
		A	B	C	f1	f2	H	L	I	h		
01560AM	FITTING 560AM	43	36	67	64	18,5	7	10	40	8	66	
01560AF	FITTING 560AF	49	39	70	34	21		10	40	8	62	
01565AM	FITTING 565AM	70	50	99	55,5	25	7	18	72	8	144	
01565AF	FITTING 565AF	70	52	104	55,5	25	7	18	72	8	140	

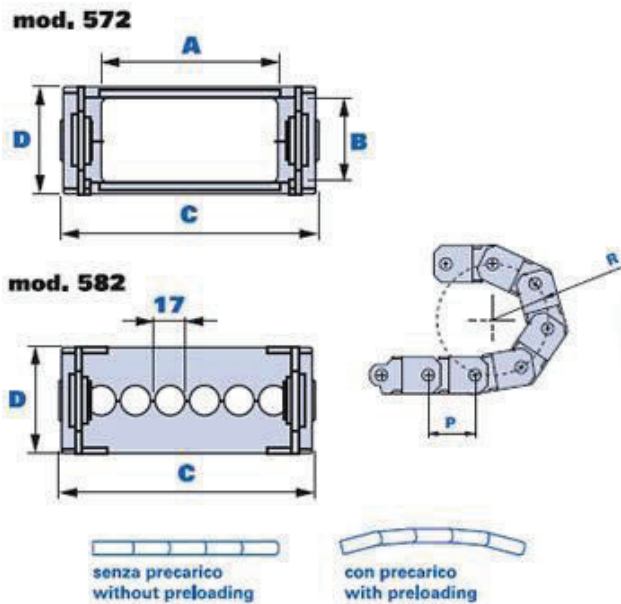
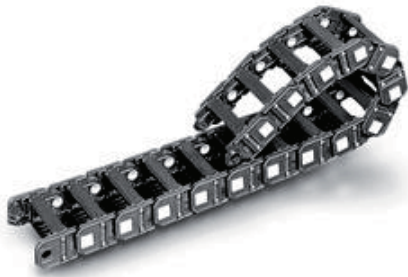
Material

White galvanized steel.

Package

1 pcs.

Decomposable link chain with studs fixed with 2- principle self-threading screws and anti-torsion seal plug



One meter chain is composed of 16 meshes = one pitch P of 63 mm

Code	Description	Mod.	Dimensions								Weight Kg/ m	Stock
			A	B	C	D	F	P	R			
01572AR75	without preloading	572A/60 R.75	60	35	95	51	55	63	75	1.5	-	
01572AR120	without preloading	572A/60 R.120	60	35	95	51	55	63	120	1.5	-	
01572AR180	without preloading	572A/60 R.180	60	35	95	51	55	63	180	1.5	-	
01572AR240	without preloading	572A/60 R.240	60	35	95	51	55	63	240	1.5	-	
01572AR320	without preloading	572A/60 R.320	60	35	95	51	55	63	320	1.5	-	
01572BR75	without preloading	572B/90 R.75	90	35	125	51	85	63	75	1.6	-	
01572BR120	without preloading	572B/90 R.120	90	35	125	51	85	63	120	1.6	-	
01572BR180	without preloading	572B/90 R.180	90	35	125	51	85	63	180	1.6	-	
01572BR240	without preloading	572B/90 R.240	90	35	125	51	85	63	240	1.6	-	
01572BR320	without preloading	572B/90 R.320	90	35	125	51	85	63	320	1.6	-	
01572CR75	without preloading	572B/120 R.75	120	35	155	51	115	63	74	1.7	-	
01572CR120	without preloading	572B/120 R.120	120	35	155	51	115	63	120	1.7	-	
01572CR180	without preloading	572B/120 R.180	120	35	155	51	115	63	180	1.7	-	
01572CR240	without preloading	572B/120 R.240	120	35	155	51	115	63	240	1.7	-	
01572CR320	without preloading	572B/120 R.320	120	35	155	51	115	63	320	1.7	-	
01572DR75	without preloading	572D/150 R.75	150	35	185	51	145	63	75	1.8	-	
01572DR120	without preloading	572D/150 R.120	150	35	185	51	145	63	120	1.8	-	
01572DR180	without preloading	572D/150 R.180	150	35	185	51	145	63	180	1.8	-	
01572DR240	without preloading	572D/150 R.240	150	35	185	51	145	63	240	1.8	-	
01572DR320	without preloading	572D/150 R.320	150	35	185	51	145	63	320	1.8	-	
01582CR75	without preloading	582C R.75	120	35	155	51	145	63	75	2	-	
01582CR120	without preloading	582C R.120	120	35	155	51	145	63	120	2	-	
01582CR180	without preloading	582C R.180	120	35	155	51	145	63	180	2	-	
01582CR240	without preloading	582C R.240	120	35	155	51	145	63	240	2	-	
01582CR320	without preloading	582C R.320	120	35	155	51	145	63	320	2	-	
01572AR75C	with preloading	572A/60 R.75	60	35	95	51	55	63	75	1.5	-	

01572AR120C	with preloading	572A/60 R.120	60	35	95	51	55	63	120	1.5	-
01572AR180C	with preloading	572A/60 R.180	60	35	95	51	55	63	180	1.5	-
01572AR240C	with preloading	572A/60 R.240	60	35	95	51	55	63	240	1.5	-
01572AR320C	with preloading	572A/60 R.320	60	35	95	51	55	63	320	1.5	-
01572BR75C	with preloading	572B/90 R.75	90	35	125	51	85	63	75	1.6	-
01572BR120C	with preloading	572B/90 R.120	90	35	125	51	85	63	120	1.6	-
01572BR180C	with preloading	572B/90 R.180	90	35	125	51	85	63	180	1.6	-
01572BR240C	with preloading	572B/90 R.240	90	35	125	51	85	63	240	1.6	-
01572BR320C	with preloading	572B/90 R.320	90	35	125	51	85	63	320	1.6	-
01572CR75C	with preloading	572B/120 R.75	120	35	155	51	115	63	74	1.7	-
01572CR120C	with preloading	572B/120 R.120	120	35	155	51	115	63	120	1.7	-
01572CR180C	with preloading	572B/120 R.180	120	35	155	51	115	63	180	1.7	-
01572CR240C	with preloading	572B/120 R.240	120	35	155	51	115	63	240	1.7	-
01572CR320C	with preloading	572B/120 R.320	120	35	155	51	115	63	320	1.7	-
01572DR75C	with preloading	572D/150 R.75	150	35	85	51	145	63	75	1.8	-
01572DR120C	with preloading	572D/150 R.120	150	35	185	51	145	63	120	1.8	-
01572DR180C	with preloading	572D/150 R.180	150	35	185	51	145	63	180	1.8	-
01572DR240C	with preloading	572D/150 R.240	150	35	185	51	145	63	240	1.8	-
01572DR320C	with preloading	572D/150 R.320	150	35	185	51	145	63	320	1.8	-
01582CR75C	with preloading	582C R.75	120	35	155	51	145	63	75	2	-
01582CR120C	with preloading	582C R.120	120	35	155	51	145	63	120	2	-
01582CR180C	with preloading	582C R.180	120	35	155	51	145	63	180	2	-
01582CR240C	with preloading	582C R.240	120	35	155	51	145	63	240	2	-
01582CR320C	with preloading	582C R.320	120	35	155	51	145	63	320	2	-

Material

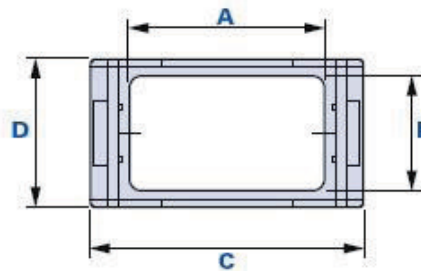
Glass- fiber reinforced polyamide- based (PA) technopolymer.

Resistant to organic and inorganic chemical substances such as oils, greases, fuels and solvents.

Colour

Black with satin finish.

Decomposable link chain with studs fixed with 2- principle self-threading screws



passo P = 50 mm (20 elementi = 1 m)
pitch P = 50 mm (20 elements = 1 m)



Code	Description	Mod.	Dimensions								Weight Kg/ m	Stock
			A	B	C	D	F	P	R			
01585AR50	without preloading	585A/30 R.50	30	24	54	35	33	50	50	0.6	-	
01585AR60	without preloading	585A/30 R.60	30	24	54	35	33	50	60	0.6	-	
01585AR95	without preloading	585A/30 R.95	30	24	54	35	33	50	95	0.6	-	
01585AR140	without preloading	585A/30 R.140	30	24	54	35	33	50	140	0.6	-	
01585AR190	without preloading	585A/30 R.190	30	24	54	35	33	50	190	0.6	-	
01585BR50	without preloading	585B/45 R.50	45	24	70	35	48	50	50	0.64	-	
01585BR60	without preloading	585B/45 R.60	45	24	70	35	48	50	60	0.64	-	
01585BR95	without preloading	585B/45 R.95	45	24	70	35	48	50	95	0.64	-	
01585BR140	without preloading	585B/45 R.140	45	24	70	35	48	50	140	0.64	-	
01585BR190	without preloading	585B/45 R.190	45	24	70	35	48	50	190	0.64	-	
01585CR50	without preloading	585B/60 R.50	60	24	84	35	63	50	50	0.72	-	
01585CR60	without preloading	585B/60 R.60	60	24	84	35	63	50	60	0.72	-	
01585CR95	without preloading	585B/60 R.95	60	24	84	35	63	50	95	0.72	-	
01585CR140	without preloading	585B/60 R.140	60	24	84	35	63	50	140	0.72	-	
01585CR190	without preloading	585B/60 R.190	60	24	84	35	63	50	190	0.72	-	
01585AR50C	with preloading	585A/30 R.50	30	24	54	35	33	50	50	0.6	-	
01585AR60C	with preloading	585A/30 R.60	30	24	54	35	33	50	60	0.6	-	
01585AR95C	with preloading	585A/30 R.95	30	24	54	35	33	50	95	0.6	-	
01585AR140C	with preloading	585A/30 R.140	30	24	54	35	33	50	140	0.6	-	
01585AR190C	with preloading	585A/30 R.190	30	24	54	35	33	50	190	0.6	-	
01585BR50C	with preloading	585B/45 R.50	45	24	70	35	48	50	50	0.64	-	
01585BR60C	with preloading	585B/45 R.60	45	24	70	35	48	50	60	0.64	-	
01585BR95C	with preloading	585B/45 R.95	45	24	70	35	48	50	95	0.64	-	
01585BR140C	with preloading	585B/45 R.140	45	24	70	35	48	50	140	0.64	-	
01585BR190C	with preloading	585B/45 R.190	45	24	70	35	48	50	190	0.64	-	
01585CR50C	with preloading	585B/60 R.50	60	24	84	35	63	50	50	0.72	-	
01585CR60C	with preloading	585B/60 R.60	60	24	84	35	63	50	60	0.72	-	
01585CR95C	with preloading	585B/60 R.95	60	24	84	35	63	50	95	0.72	-	
01585CR140C	with preloading	585B/60 R.140	60	24	84	35	63	50	140	0.72	-	

01585CR190C	with preloading	585B/60 R.190	60	24	84	35	63	50	190	0.72	-
-------------	-----------------	---------------	----	----	----	----	----	----	-----	------	---

Material

Glass- fiber reinforced polyamide- based (PA) technopolymer.

Resistant to organic and inorganic chemical substances such as oils, greases, fuels and solvents.

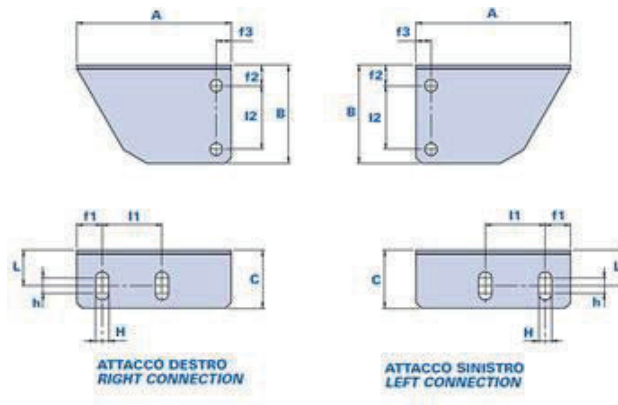
Colour

Black with satin finish

Accessories for models 572-582-585



Accessories for cable- carrying chain model 572/582/585



Code	Description	Dimensions											Weight grams	Stock
		A	B	C	f1	f2	f3	L	H	h				
01572ADX	CONNECTION DX 572/582	82,5	52,5	31	13,5	32	11	34	8	19	7	8	100	
01572ASX	CONNECTION SX 572/582	82,5	52,5	31	13,5	32	11	34	8	19	7	8	100	
01585ADX	CONNECTION DX 585	63	37	22	8,5	18	8,2	23,6	10	12,5	6	3	50	
01585ASX	CONNECTION SX 585	63	37	22	8,5	18	8,2	23,6	10	12,5	6	3	50	

Material

White galvanized steel.

Supply condition

Connections are supplied equipped with screws and nuts for the assembly.

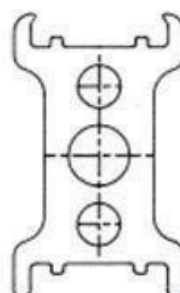
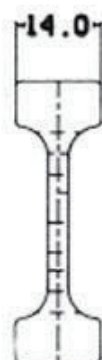
Package

1 pcs.

Separator for model 572



Separator for cable- carrying chain model 572



SEPARATORE
SEPARATOR

Code	Description	Weight grams	Stock
01572T	Separator for 572	5	

Material

White galvanized steel.

Supply condition

Connections are supplied equipped with screws and nuts for the assembly.

Package

1 pcs.