

Code	Description	Dimensions					Weight grams	Stock
		A	B	C	D	E		
PC060110	PC D.10	6	1	10	14	6	0,0005	
PC060610	PC D.10	6	6	10	14	11	0,0005	
PC090112	PC D.12	9	1	12	16	6	0,0015	-
PC090212	PC D.12	9	2	12	16	7	0,0015	
PC090511	PC D.11	9	5	11	16	10	0,002	
PC090812	PC D.12	9	8	12	16	13	0,002	
PC120618	PC D.18	12	6	18	21	11	0,002	
PC160221	PC D.21	16	2	21	25	7	0,002	
PC160821	PC D.21	16	8	21	25	13	0,002	
PC180222	PC D.22	18	2	22	27	7	0,002	
PC240529	PC D.29	24	5	29	36	10	0,003	

Material

Polyvinylchloride- based (PVC) technopolymer.

Resistant to organic and inorganic chemical substances such as oils, grease, fuels and solvents.

Hardness

63 SHORE.

Colour

Black.

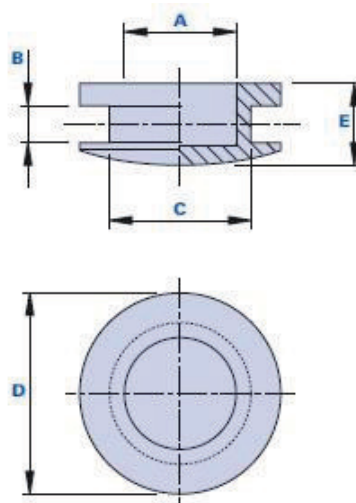
Other colours for suitable quantities.

Package

200 - 500 - 1000 pcs.

3000

Closed hole cable- holder



Code	Description	Dimensions					Weight grams	Stock
		A	B	C	D	E		
300000002400	3000 D.24	15	5	23	27	11	3	

Material

Polyvinylchloride- based (PVC) technopolymer.

Resistant to organic and inorganic chemical substances such as oils, greases, fuels and solvents.

Colour

Black.

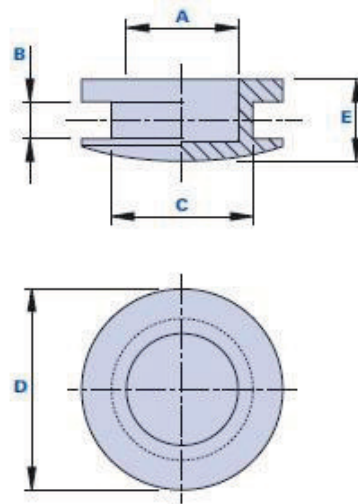
Other colours for suitable quantities.

Package

100 - 500 - 1000 pcs.

3001

Closed hole cable- holder



Code	Description	Dimensions					Weight grams	Stock
		A	B	C	D	E		
300100019500	3001 D.19,5	15	5	19	27	10,5	4	

Material

Polyvinylchloride- based (PVC) technopolymer.

Resistant to organic and inorganic chemical substances such as oils, greases, fuels and solvents.

Colour

Black.

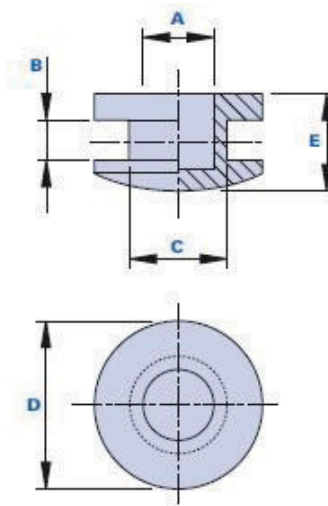
Other colours for suitable quantities.

Package

100 - 200 - 1000 pcs.

3002

Closed hole cable- holder



Code	Description	Dimensions					Weight grams	Stock
		A	B	C	D	E		
300200001100	3002 D.11	8	4,5	11	19	10	2	

Material

Polyvinylchloride- based (PVC) technopolymer.

Resistant to organic and inorganic chemical substances such as oils, greases, fuels and solvents.

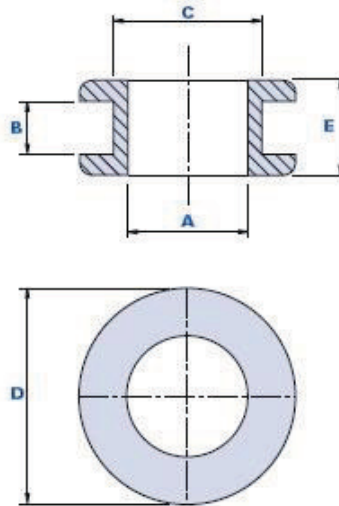
Colour

Black.

Other colours for suitable quantities.

Package

100 - 500 - 1000 pcs.



Code	Description	Dimensions					Weight grams	Stock
		A	B	C	D	E		
PA050610	PA D. external 10 hole 5	5	6	10	14	11	0,0005	
PA060110	PA D. external 10 hole 6	6	1	10	14	6	0,0005	
PA060610	PA D. PA D. external 10 hole 6	6	6	10	14	11	0,0005	
PA070217	PA D. external 17 hole 7	7	2	17	24	7	0,001	
PA090112	PA D. external 12 hole 9	9	1	12	16	6	0,0015	
PA090212	PA D. external 12 hole 9	9	2	12	16	7	0,0015	
PA090511	PA D. external 11 hole 9	9	5	11	16	10	0,0015	
PA090812	PA D. external 12 hole 9	9	8	12	16	13	0,001	
PA100622	PA D. external 22 hole 10	10	6	22	27	11	0,004	
PA120217	PA D. external 17 hole 12	12	2	17	21	7	0,002	
PA120618	PA D. external 18 hole 12	12	6	18	21	11	0,002	
PA090616	PA D. external 16 hole 9	9	6	16	21	11	0,003	
PA120616	PA D. external 16 hole 12	12	6	16	21	11	0,003	
PA140618	PA D. external 18 hole 14	14	6	18	21	11	0,002	
PA120818	PA D. external 18 hole 12	12	8	18	21	13	0,003	
PA150622	PA D. external 22 hole 15	15	6	22	27	11	0,004	
PA160221	PA D. external 21 hole 16	16	2	21	25	7	0,002	
PA160821	PA D. external 21 hole 16	16	8	21	25	13	0,003	
PA180222	PA D. external 22 hole 18	18	2	22	27	7	0,002	
PA240229	PA D. external 29 hole 24	24	2	29	36	7	0,005	
PA240529	PA D. external 29 hole 24	24	5	29	36	10	0,005	

Material

Technopolymer. Resistant to organic and inorganic chemical substances such as greases, fuels and solvents.

Hardness

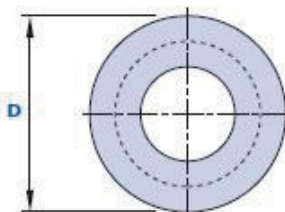
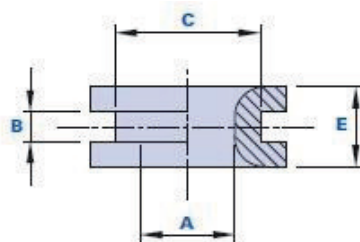
63 SHORE.

Colour

Other colours for suitable quantities.

Package

200 - 500 - 1000 pcs.



Code	Description	Dimensions					Weight grams	Stock
		A	B	C	D	E		
200000001200	2000 BOHRUNG D.12	12	4	20	27	11	4	

Material

Polyvinylchloride- based (PVC) technopolymer.

Resistant to organic and inorganic chemical substances such as oils, greases, fuels and solvents.

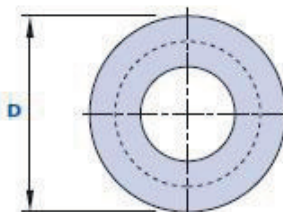
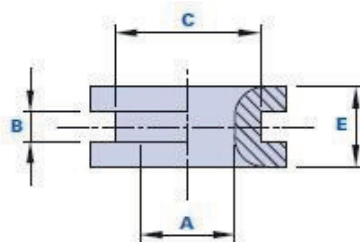
Colour

Black.

Other colours for suitable quantities.

Package

100 - 500 - 1000 pcs.



Code	Description	Dimensions					Weight grams	Stock
		A	B	C	D	E		
200100001500	2001 HOLE D.15	15	4	20	27	11	3,5	

Material

Polyvinylchloride- based (PVC) technopolymer.

Resistant to organic and inorganic chemical substances such as oils, greases, fuels and solvents.

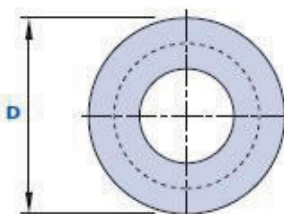
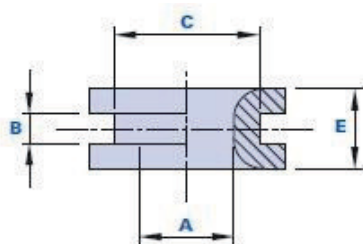
Colour

Black.

Other colours for suitable quantities.

Package

100 - 500 - 1000 pcs.



Code	Description	Dimensions					Weight grams	Stock
		A	B	C	D	E		
200200017500	2002 HOLE D.17,5	17,5	6	21	27	13	3	

Material

Polyvinylchloride- based (PVC) technopolymer.

Resistant to organic and inorganic chemical substances such as oils, greases, fuels and solvents.

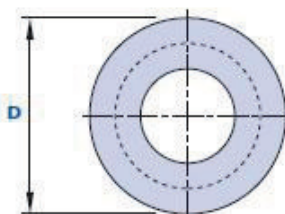
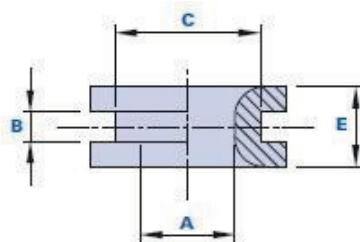
Colour

Black.

Other colours for suitable quantities.

Package

100 - 500 - 1000 pcs.



Code	Description	Dimensions					Weight grams	Stock
		A	B	C	D	E		
200300001400	2003 HOLE D.14	14	6	21	27	13	3,5	

Material

Polyvinylchloride- based (PVC) technopolymer.

Resistant to organic and inorganic chemical substances such as oils, greases, fuels and solvents.

Colour

Black.

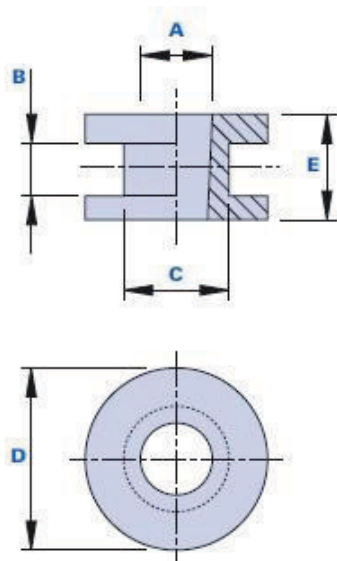
Other colours for suitable quantities.

Package

100 - 500 - 1000 pcs.

3002FP

Through-hole cable holder



Code	Description	Dimensions					Weight grams	Stock
		A	B	C	D	E		
3002FP001100	3002FP D.11	8	4,5	11	9	10	1,8	

Material

Polyvinylchloride- based (PVC) technopolymer.

Resistant to organic and inorganic chemical substances such as oils, greases, fuels and solvents.

Colour

Black.

Other colours for suitable quantities.

Package

100 - 500 - 1000 pcs.