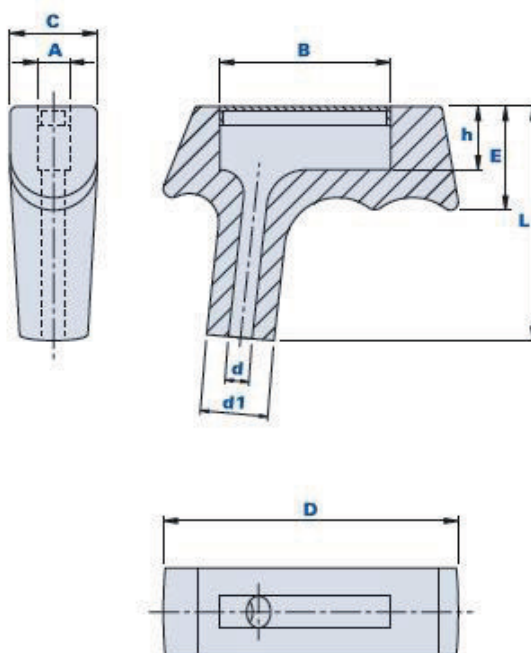


Starting tie rod with cap



Code	Description	Dimensions						Hole		Weight grams	Stock	
		L	A	B	C	D	E	d1	d			h
1213T0000600	1213T D.6 Black Cap	59	8	43	22	74	26	17	6	16	46,2	
1213T0000700	1213T D.6 Red Cap	59	8	43	22	74	26	17	6	16	46.2	

Tie rod material

Polyvinylchloride- based (PVC) technopolymer.

Resistant to organic and inorganic chemical substances such as oils, greases, fuels and solvents.

Colour

Black with satin finish.

Other colours for suitable quantities.

Cap material

Polyamide- based (PA) technopolymer.

Resistant to organic and inorganic chemical substances such as oils, greases, fuels and solvents.

Cap colour

Black Ral 7021, Red Ral 3020.

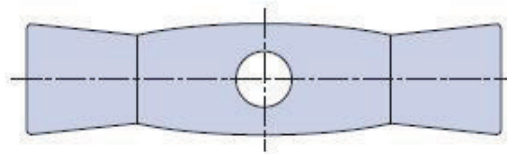
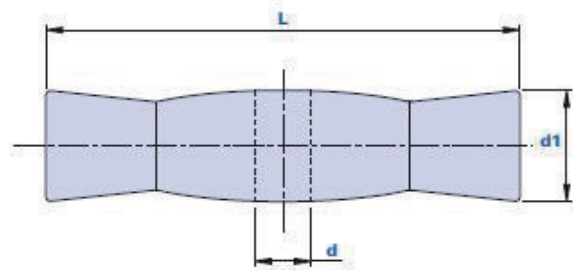
Package

200 pcs.

1602

Handgrip for rope

VAL-PA



Code	Description	Dimensions			Weight grams	Stock
		L	d	d1		
160200001200	1602 D.12	107	12	25,5	34,8	-

Material

Glass- fiber reinforced polyamide- based (PA) technopolymer.

Resistant to organic and inorganic chemical substances such as oils, greases, fuels and solvents.

Colour

Black with satin finish.

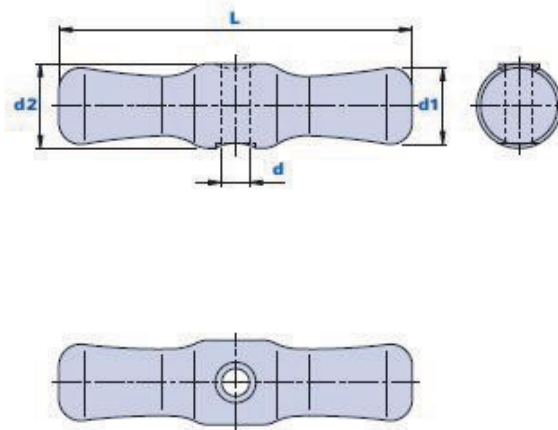
Package

100 pcs.

1603

Handgrip for rope

VAL-PA



Code	Description	Dimensions				Weight grams	Stock
		L	d	d1	d2		
160300000600	1603 D.6	95	7,5	18,5	24	23,2	-

Material

Glass- fiber reinforced polyamide- based (PA) technopolymer.

Resistant to organic and inorganic chemical substances such as oils, greases, fuels and solvents.

Colour

Black with satin finish.

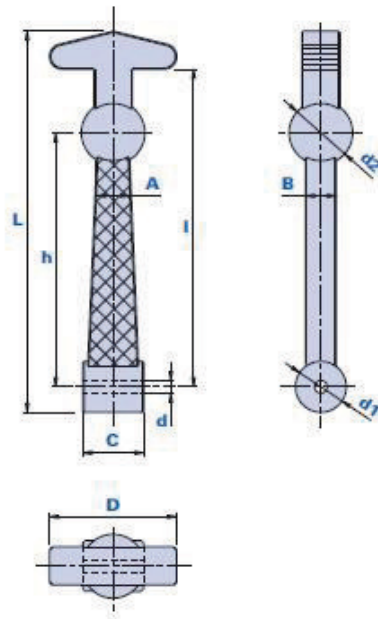
Package

100 pcs.

1012ND

Rubber tie rod

VAL-PA



Code	Description	Dimensions							Hole		Weight grams	Stock	
		L	D	A	B	C	l	d1	d2	d			h
1012ND000000	1012ND	150	50	3	12	24	125	20	25	5	100	57,9	

Material

Ethylene- propylene- based rubber (EPDM) resistant to weather, ultraviolet radiations and ozone, even at high temperatures. Resistant to water and steam, alkaline salt solutions, heavy mineral bases, glycols, brake fluids, ketones and oxygenates solvents. Not resistant to oils and greases, aliphatic, aromatic and chlorinated hydrocarbons, silicic ester- based hydraulic fluids.

Colour

Black.

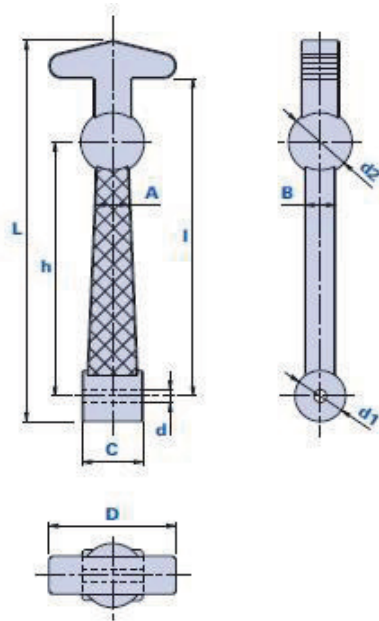
Package

100 pcs.

1021D

Rubber tie rod

VAL-PA



Code	Description	Dimensions										Hole			Weight grams	Stock
		L	D	A	B	C	E	I	d1	d2	d	h	h1			
1021D0000000	1021D	120	52	15	10	26	18	97	16	24	6	74	32	41,6		

Material

Ethylene- propylene- based rubber(EPDM) resistant to weather, ultraviolet radiation and ozone, even at high temperatures.
Resistant to water and steam, alkaline salt solutions, heavy mineral bases, glycols, brake fluids, ketones and oxygenates solvents.
Not resistant to oils and greases, aliphatic, aromatic and chlorinated hydrocarbons,silicic ester- based hydraulic fluids.

Colour

Black.

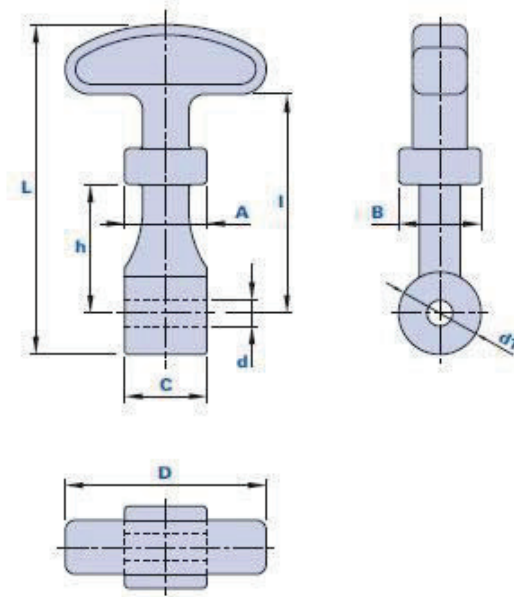
Package

100 pcs.

1067D

Rubber mini- tie rod

VAL-PA



Code	Description	Dimensions						Hole		Weight grams	Stock	
		L	D	A	B	C	I	d1	d			h
1067D0000000	1067D	64	39	16	16	16	42,5	16	5	25	14,5	

Material

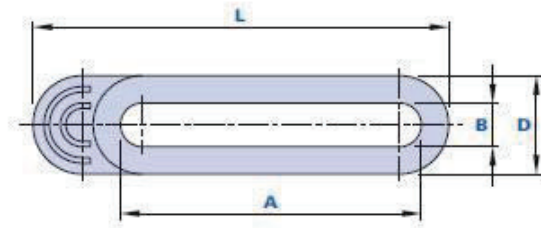
Ethylene- propylene- based rubber (EPDM) resistant to weather, ultraviolet radiations and ozone, even at high temperatures. Resistant to water and steam, alkaline salt solutions, heavy mineral bases, glycols, brake fluids, ketones and oxygenates solvents. Not resistant to oils and greases, aliphatic, aromatic and chlorinated hydrocarbons, silicic ester- based hydraulic fluids.

Colour

Black.

Package

100 pcs.



Code	Description	Dimensions					Weight grams	Stock
		L	A	B	C	D		
1059C0007600	1059C- L.76	76	55	8	5	18	4,1	-
1059L0013800	1059L- L.138	138	55	8	5	18	9,4	-

Material

Ethylene- propylene- based rubber (EPDM) resistant to weather, ultraviolet radiations and ozone, even at high temperatures.
Resistant to water and steam, alkaline salt solutions, heavy mineral bases, glycols, brake fluids, ketones and oxygenates solvents.
Not resistant to oils and greases, aliphatic, aromatic and chlorinated hydrocarbons, silicic ester- based hydraulic fluids.

Colour

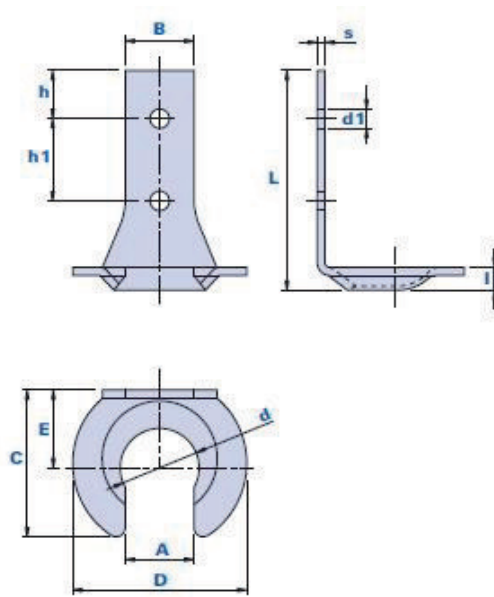
Black.

Package

100 pcs.

1230

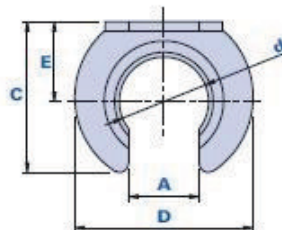
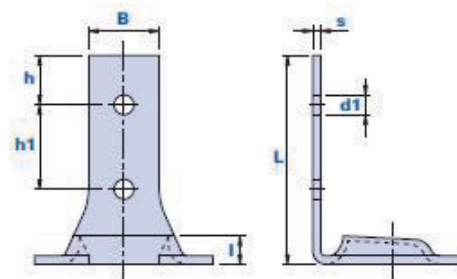
A- type metal hook



Code	Description	Dimensions											Weight grams	Stock
		L	A	B	C	D	E	h	h1	d	L	s		
123000000000	Not galvanized	48	15	15	32	38	17	105	18	17,2	5	1,7	21,3	
1230Z0000000	Galvanized	48	15	15	32	38	17	105	18	17,2	5	1,7	20,5	

Material
Steel.

Package
100 pcs.



Code	Description	Dimensions											Weight grams	Stock
		L	A	B	C	D	E	h	h1	d	L	s		
123100000000	Not galvanized	44,5	15	15	32	38	17	10,5	18	19	6	1,7	21,3	
1231Z0000000	Galvanized	44,5	15	15	32	38	17	10,5	18	19	6	1,7	20,5	

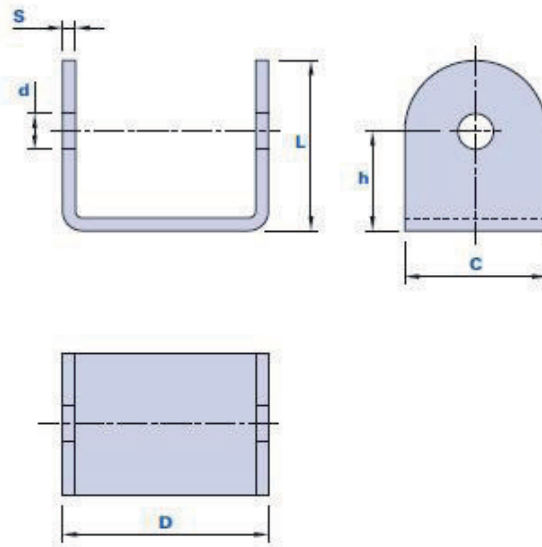
Material

Steel.

Package

100 pcs.

C- type metal hook



Code	Description	Dimensions						Weight grams	Stock
		L	C	D	d	h	s		
1232000000	Not galvanized	24	20	29	4,8	14	1,7	19,7	
1232Z000000	Galvanized	24	20	29	4,8	14	1,7	18,3	-

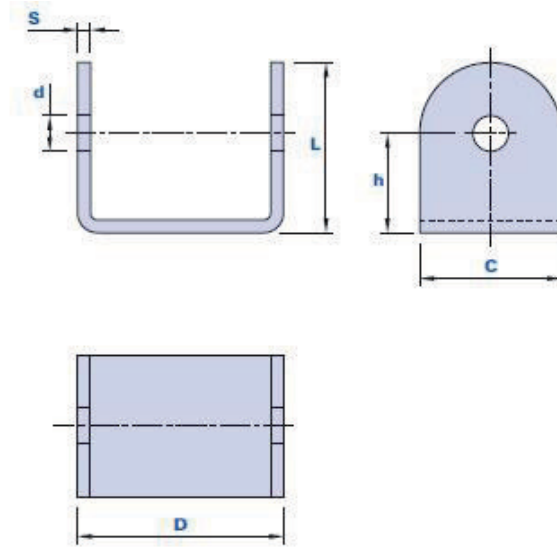
Material

Steel.

Package

100 pcs.

D- type metal hook

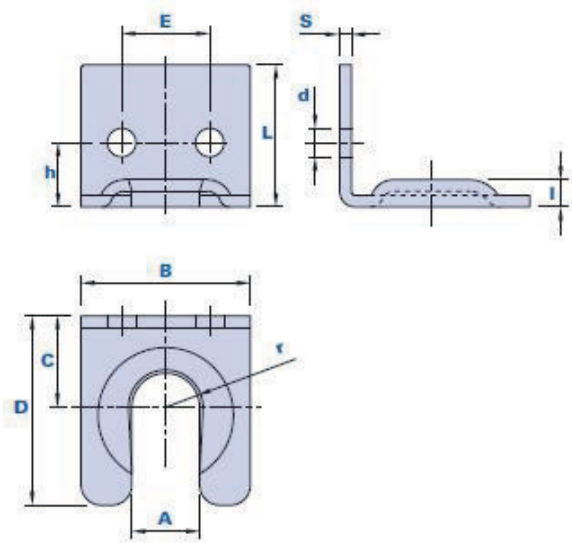


Code	Description	Dimensions											Weight grams	Stock
		L	A	B	C	D	E	F	h	d	d1	s		
12330000000	Not galvanized	20	16,5	7	15	34	28	19	12	5	4,5	1,7	22,2	
1233Z000000	Galvanized	20	16,5	7	15	34	28	19	12	5	4,5	1,7	21,1	

Material
Steel.

Package
100 pcs.

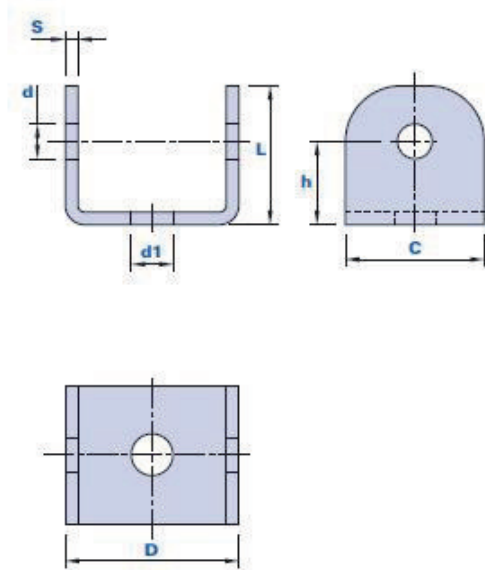
E- type metal hook



Code	Description	Dimensions											Weight grams	Stock
		L	A	B	C	D	E	l	h	d	s	r		
1234000000	Not galvanized	20,5	10	25	13,5	28	13	4	9,5	4,2	1,7	5	16,4	
1234Z000000	Galvanized	20,5	10	25	13,5	28	13	4	9,5	4,2	1,7	5	16,4	-

Material
Steel.

Package
100 pcs.



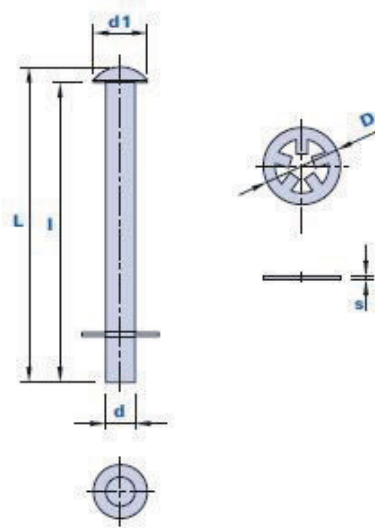
Code	Description	Dimensions							Weight grams	Stock
		L	C	D	d	d1	h	s		
12350000000	Not galvanized	20	20	25	5	6	12	1,7	15	
1235Z000000	Galvanized	20	20	25	5	6	12	1,7	15	-

Material
Steel.

Package
100 pcs.

1237 ZZ

Nail with washer



Code	Description	Dimensions						Weight grams	Stock
		L	l	d	d1	D	s		
1237ZZ000000	1237 ZZ	41	39	3,8	7	10	0,5	4,1	

Material

Galvanized steel.

Package

100 pcs.