



Rod Guides

Accessories

For round rods

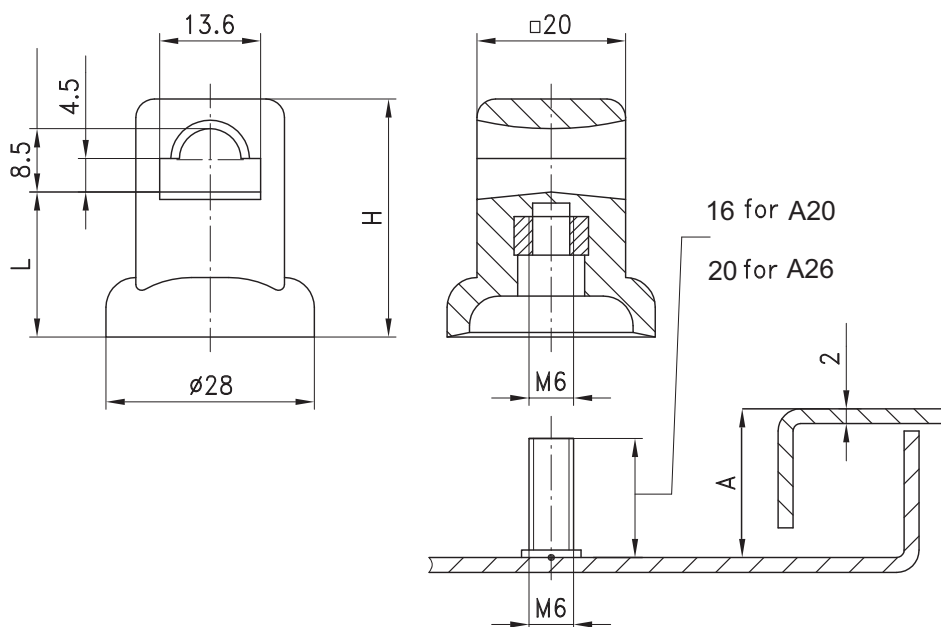
Rod guide for 8mm round rods.

Screwed onto a weld stud.

The round shape of the hole allows free swivelling even with very short rods.

Material:

PA, black



Accessories

Handle lock

Cylinder lock

Electronic lock

Swing handle

Rod control lock

Panel lock

Toggle and hook

Handles

Door stop

Hinge

Seal gasket

Overview of items

version	A	L in mm / inch	H in mm / inch	PA, Black
Rod Guide Bending	A20	19.5 / 0.768	32 / 1.260	PA1301011-000
	A26	25.5 / 1.004	38 / 1.496	PA1301012-000

