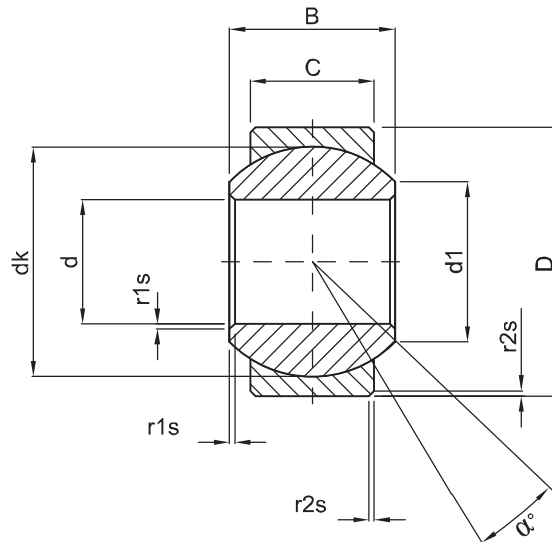




# Self-lubricating spherical bearings (Din ISO 12240-1)



Steel/steel coupling, self-lubricating  
Application: precision engineering

**MATERIAL**

**Inner ring:**

tempered, ground and polished steel for bearings 100 Cr6 (1.3505)

**Outer ring:**

sintered steel impregnated with high efficiency lubricating fluid

Control Handwheels

Clamping Handles

Rotary Controls

Levelling Elements

Indexing Elements

Level Indicators

Magnets

**Joints**

Gas Spring

Cylindrical Bellows

Telescopic Slides

Machine Elements

Control Handwheels

Clamping Handles

Rotary Controls

Levelling Elements

Indexing Elements

Level Indicators

Magnets

**Joints**

Gas Spring

Cylindrical Bellows

Telescopic Slides

Machine Elements

**Overview of items**

Order No	d H7	B	C	D h6	d1	dk	r1s min.	r2s min.	static radial load Co.(daN)	static axial load Co.(daN)	$\alpha^\circ$ pivoting angle $\approx$	weight $\approx$ (kg)
PA7190-05	5	8	6,00	13	7,7	11,11	0,3	0,3	1300	170	13	0,006
PA7190-06	6	9	6,75	16	8,9	12,70	0,3	0,3	1700	220	13	0,009
PA7190-08	8	12	9,00	19	10,4	15,87	0,3	0,3	2800	370	14	0,016
PA7190-10	10	14	10,50	22	12,9	19,05	0,3	0,3	4000	520	13	0,025
PA7190-12	12	16	12,00	26	15,4	22,22	0,3	0,3	5300	700	13	0,040
PA7190-16	16	21	15,00	32	19,3	28,57	0,3	0,3	8500	1100	15	0,100
PA7190-20	20	25	18,00	40	24,3	34,92	0,3	0,6	12500	1600	14	0,150
PA7190-30	30	37	25,00	55	34,8	50,80	0,3	0,6	25400	3300	17	0,380
PA7190-35	35	43	28,00*	62*	37,7*	57,15	0,6	1,0	32000	4150	19	0,490

\*no standard dimension