

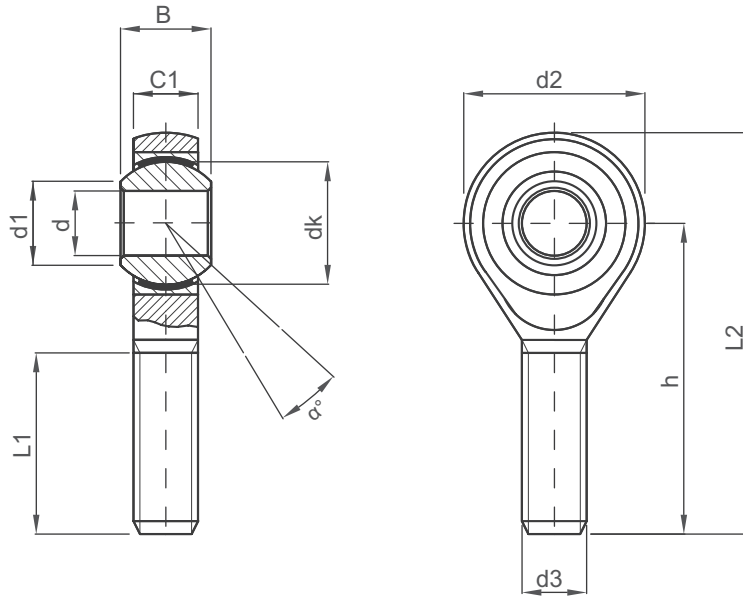


Self-Lubricating Rod Ends - Standard Version

Coupling: steel/PTFE

MATERIAL

Coupling: steel on PTFE liner, maintenance free
Support: from size 5 to size 12 are produced in automatic steel 11SMnPb30/37 (1.0718) successive sizes in forged, tempered steel C40 (1.1186).
 Zinc plated surface (EN ISO 4042 Fe/Zn 8c 1B)
Inner ring: tempered, ground and polished steel for bearings 100 Cr6 (1.3505)
Outer ring: brass with PTFE bonded on the inner surface.



Order No	d H7	d3 6g	B	C1	d1	d2	dk	h	L1	L2	static radial load Co.(daN)	α° pivoting angle	weight (kg)
PA7160-05-M5	5	M5	8	6	7,7	18	11,11	33	19	42	300	13	0,015
PA7160-06-M6	6	M6	9	6,75	8,9	20	12,7	36	21	46	400	13	0,021
PA7160-08-M8	8	M8	12	9	10,4	24	15,87	42	25	54	800	14	0,040
PA7160-10-M10	10	M10	14	10,5	12,9	28	19,05	48	28	62	1300	13	0,064
PA7160-12-M12	12	M12	16	12	15,4	32	22,22	54	32	70	1700	13	0,097
PA7160-14-M14	14	M14	19	13,5	16,8	36	25,4	60	36	78	3600	15	0,13
PA7160-16-M16	16	M16	21	15	19,3	42	28,57	66	37	87	4800	15	0,208
PA7160-16-M16x1,5	16	M16x1,5	21	15	19,3	42	28,57	66	37	87	4800	15	0,208
PA7160-18-M18x1,5	18	M18x1,5	23	16,5	21,8	46	31,75	72	41	95	5100	15	0,260
PA7160-20-M20	20	M20	25	19	24,3	50	34,52	78	45	103	5200	14	0,367
PA7160-20-M20x1,5	20	M20x1,5	25	18	24,3	50	34,92	78	45	103	5200	14	0,367
PA7160-22-M22x1,5	22	M22x1,5	28	20	25,8	54	38,1	84	48	111	7500	15	0,435
PA7160-25-M24x2	25	M24x2	31	22	29,5	60	42,85	94	55	124	8500	15	0,590
PA7160-30-M30x2	30	M30x2	37	25	34,8	70	50,8	110	66	145	10800	15	1,060
PA7160-35-M36x2	35	M36x2	43*	28	37,7	80	57,15	140	85	180	12400	19*	1,640
PA7160-40-M42x2	40	M42x2	49*	33	45,1	91	66,60	150	90	195	26000	16*	2,300
PA7160-50-M48x2	50	M48x2	60*	45	56,6	117	82,50	185	105	243	30800	14*	4,800

For left-hand thread add "L" (ex. PA7160-08-LM8)
 Technical reading from page 9 to page 15
 *no standard dimension